

# NEXUS<sup>®</sup> 52G

## Operating Manual



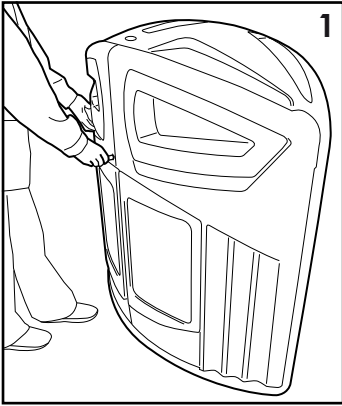
### **IMPORTANT NOTE:**

THE CONTAINER MUST BE SITED ON LEVEL GROUND TO ENSURE CORRECT ALIGNMENT OF THE DOOR AND BODY. IF YOU ARE NOT USING GLASDON FIXINGS YOU MUST ENSURE THAT 2" DIAMETER WASHERS ARE USED IN ORDER TO SECURE THE CONTAINER WHEN GROUND FIXING.

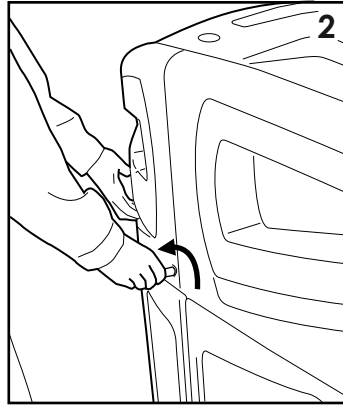


NOTE: ENSURE THAT ALL RELEVANT PERSONNEL READ THE POINTS LISTED WITHIN THIS LEAFLET AND THAT A COPY IS GIVEN TO STAFF INVOLVED WITH THE INSTALLATION AND MAINTENANCE OF THIS PRODUCT

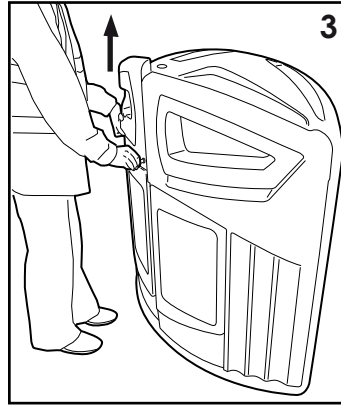
## Opening



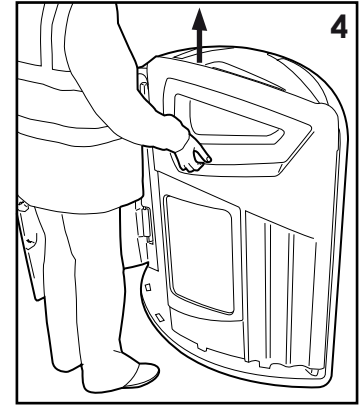
1  
Insert key into key hole and place hand into recess under aperture on the left hand door (as shown above).



2  
Turn key counter-clockwise until it stops.

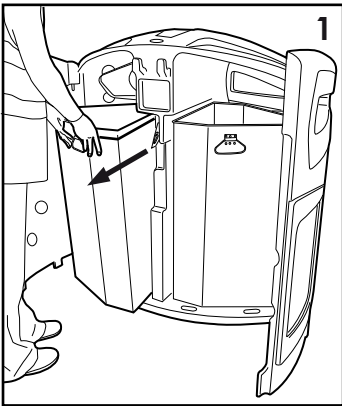


3  
Using handle recess lift the left hand door and allow door to pivot open.

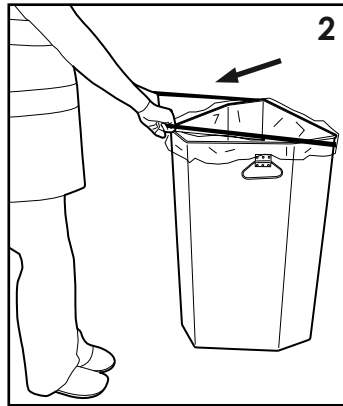


4  
Using handle recess on right hand door, lift and allow door to pivot open.

## Removing Liners/Using Sack Retention

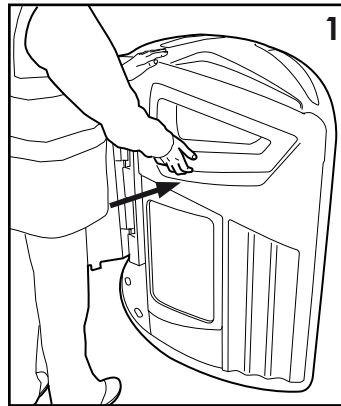


1  
Remove liner by sliding out of bin.

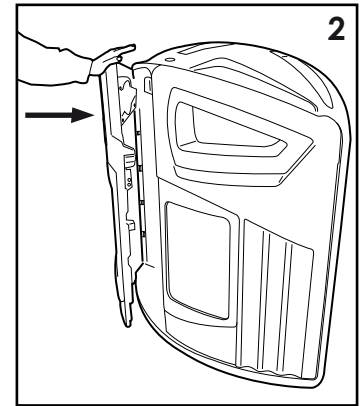


2  
Insert plastic sack and reposition elasticated sack band to secure plastic sack.

## Closing Container



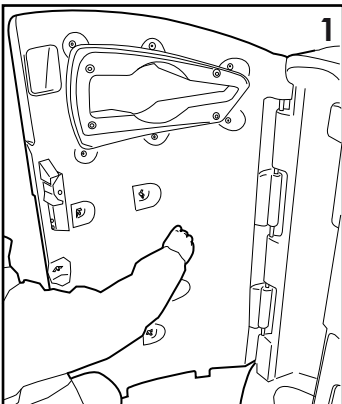
1  
To lock the Container, slam shut right hand door first.



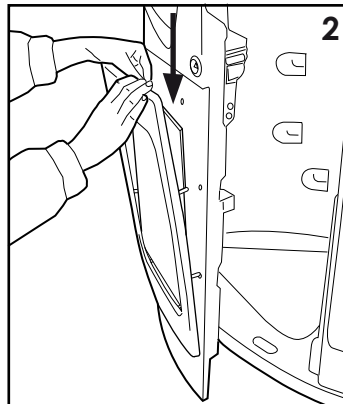
2  
Then slam shut left hand door.

## Inserting/Removing Posters

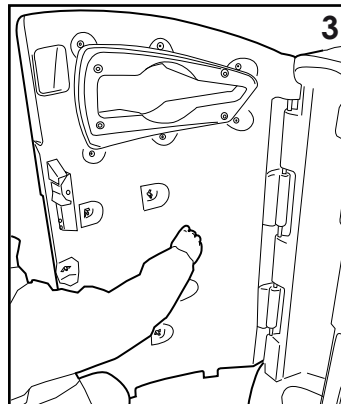
(Accepts laminated paper/card with a visible viewing area of 13 3/4" x 10 1/2")



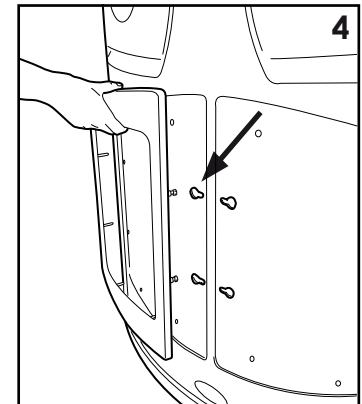
1  
Open doors and remove all eight wingnuts and washers by unscrewing counter-clockwise.



2  
From outside the container, remove the frame and insert/replace poster behind the clear panel.

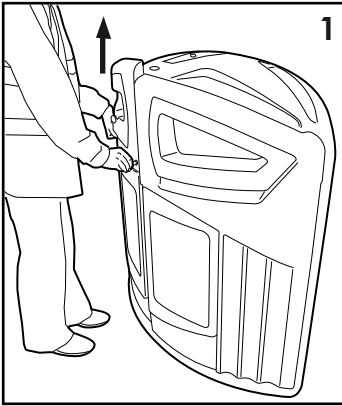


3  
Place frame back into position and tighten wingnuts from inside the bin to secure.  
**IMPORTANT NOTE:** Do not over tighten wingnuts.

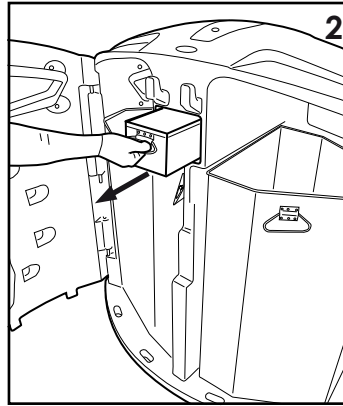


4  
When positioning the rear poster frame, first attach inner fixings by locating washers through the key hole slots. Secure frame by tightening wingnuts.

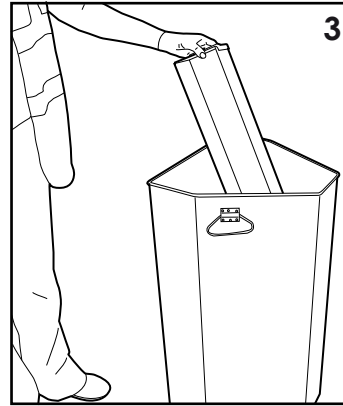
## Emptying/Replacing Ashtray Liner



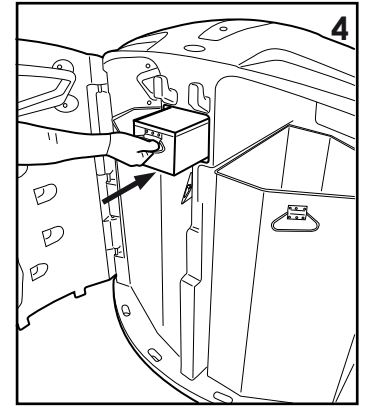
Open both doors as detailed previously. ('Opening' section)



Using the handle, slide the ashtray liner out. Use other hand to support the liner.

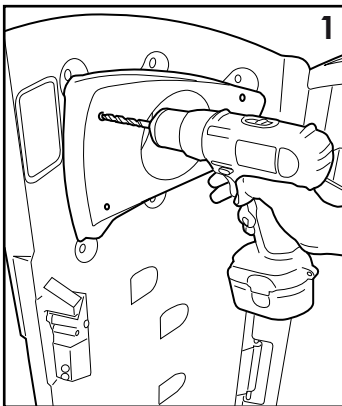


Empty contents of the liner.

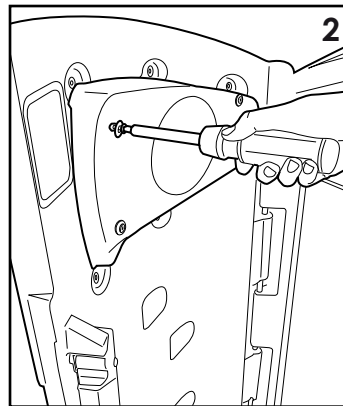


Slide ash liner back into the container compartment making sure the handle is facing towards you.

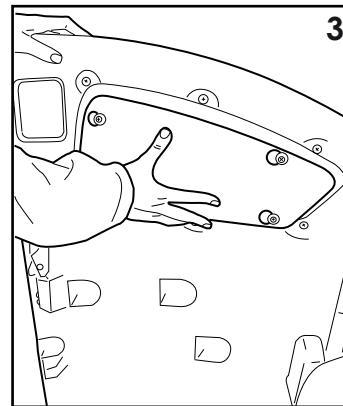
## Inserting Aperture Blanking Panel



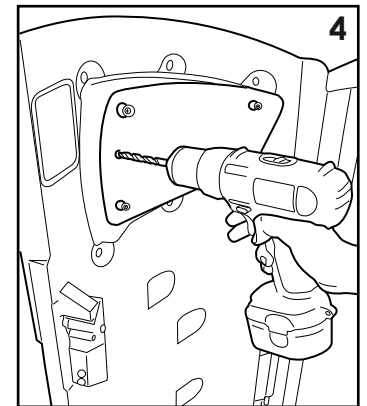
On inside face of aperture panel, drill 4 off 1/8" holes. The four off raised bosses on the rear of the panel indicate hole positions.



Fix the washers and screws provided into the drilled holes. Do not overtighten.

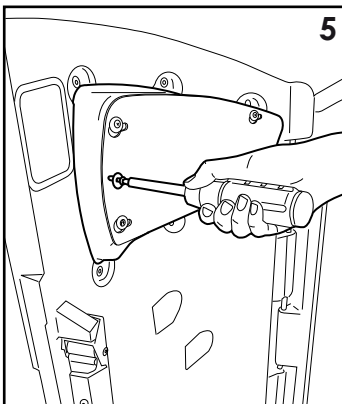


Place blanking panel over washers and slide panel horizontally so that it locates in key shaped holes.

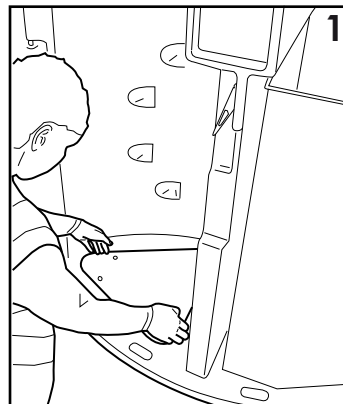


Drill 1/8" hole through remaining fixing point on blanking panel.

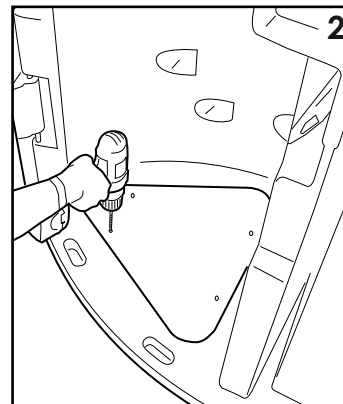
## Inserting Base Trays



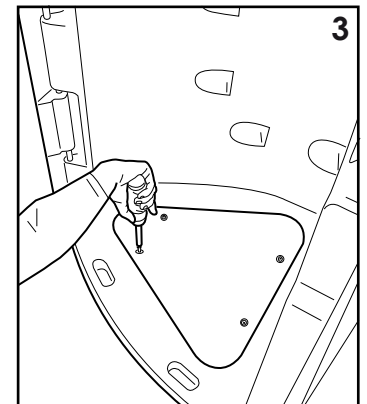
Fix panel securely in place using the washer and screw provided.



Open doors and place tray into recess within base of container.



Drill 4 off 1/8" holes through base tray holes into the base of the container.



Fix tray into place using washers and screws provided.

# NEXUS® 52G

## Operating Manual

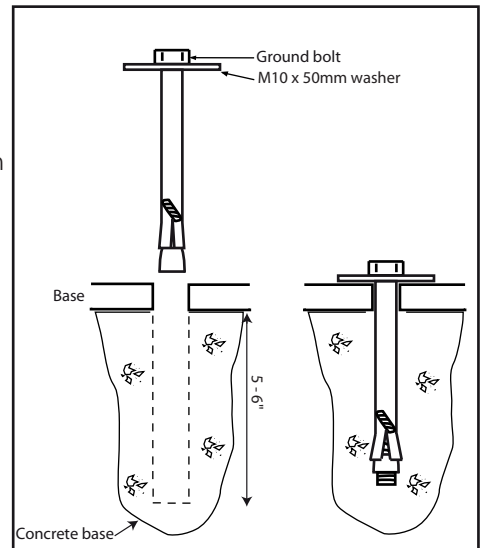
### INSTRUCTIONS FOR CONCRETE FIXING KIT (INTO PREPARED CONCRETE FOUNDATION)

**IMPORTANT NOTE:** TO ENSURE A SECURE AND ROBUST INSTALLATION THE CONTAINER SHOULD BE SITED ONTO A SOUND CONCRETE FOUNDATION AND THE 2" DIAMETER WASHER MUST BE USED. WE STRONGLY RECOMMEND THAT THE CONTAINER IS **NOT** INSTALLED ONTO TARMAC OR BLOCK PAVED AREAS.

### DISTANCE FROM EDGE OF FOUNDATION TO CENTRE OF GROUND BOLT TO BE NO LESS THAN 5"

*Permanently sited onto a prepared concrete ground site (20-30N/mmsq) utilizing 6 M10x120mm ground fixing bolts which are supplied with your container.*

- 1) Position container onto siting area ensuring it is the correct distance away from the edge of the concrete (minimum 5") and is in the correct orientation with regard to the apertures.
- 2) From the inside of the container mark hole positions onto the concrete through the fixing holes in the base of the container with a 12mm diameter masonry drill. Remove the container.
- 3) Using a 12mm diameter masonry drill bit, drill and clean out anchor holes to a minimum depth of 5 1/2". Position bin back over the drilled holes.
- 4) Assemble the ground bolts as shown in diagram opposite by removing the 20mm washer and replacing it with the 2" washer. Drive the ground bolts through the holes in the base of the container and into the holes in the concrete.
- 5) Tighten nut with correct spanner until fixings are secure. Max recommended torque setting - 20lbs/ft.
- 6) In the event of the container being removed, simply remove the bolt to leave the site hazard free.



NOTE: For alternative fixing methods please contact us for details.

### Cleaning Your Container

We would recommend a warm pressure wash with soap or alternatively hand wash with 10% solution of mild detergent in warm water using a soft bristle brush followed by a rinse with clean water.

### Graffiti

Felt tip pen or paint may be removed from Durapol using a proprietary graffiti remover. Carefully follow the instructions, particularly the guidelines covering safety. Ensure that all traces of chemicals are removed then clean as detailed above.

### CAUTION:

Graffiti removers can damage stickers, some protection may be afforded by masking off such areas. Please refer to Technical Services for our recommended graffiti removal supplier.

### Maintenance

A planned maintenance schedule of regular inspection is recommended and components replaced when necessary.



AND NEXUS® ARE TRADEMARKS OF GLASDON GROUP OR ITS SUBSIDIARIES IN THE U.K. AND OTHER COUNTRIES

- Replacement components are available direct from GLASDON, Inc.
- GLASDON, Inc. cannot be held responsible for claims arising from incorrect installation, unauthorized modifications or misuse of the product.

Issue 1 July 2012  
© Copyright 2012

Glasdon reserve the right to alter specifications without prior notice.



## Glasdon

**Glasdon, Inc.**

5200D Anthony Road  
Sandston  
VA 23150

Sales Inquiries: 1-855-USGLASDON

General Inquiries: 804-726-3777

Fax: 804-726-3778

E-mail: [info@glasdon.com](mailto:info@glasdon.com)

Web: [www.glasdon.com](http://www.glasdon.com)