



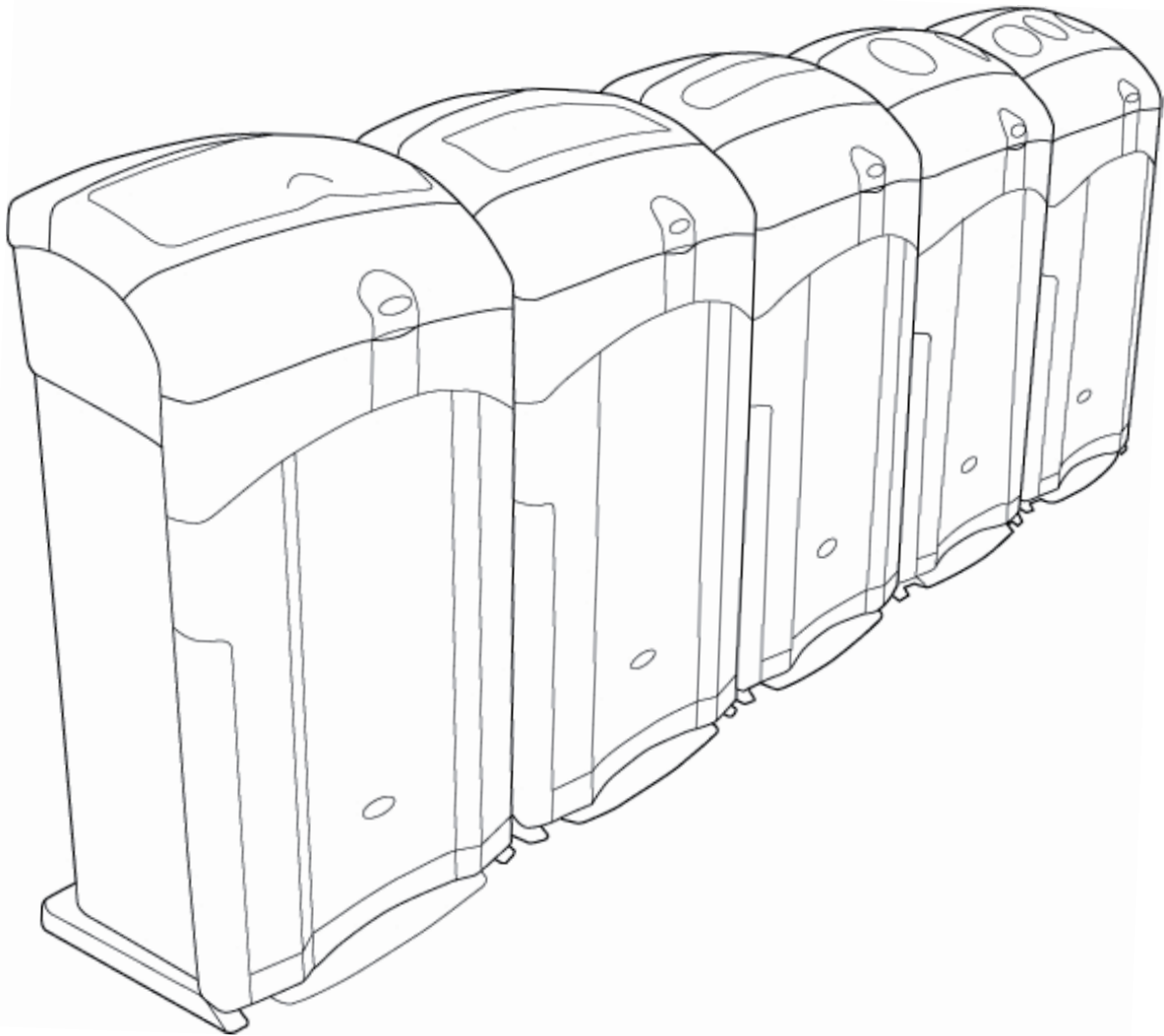
NEXUS[®] 26G

and

NEXUS[®] Cup Collector

INTERNAL RECYCLING SYSTEM

USER MANUAL AND INSTALLATION INSTRUCTIONS



IMPORTANT NOTE: ENSURE THAT ALL RELEVANT PERSONNEL READ THE POINTS LISTED WITHIN THIS LEAFLET AND THAT A COPY IS GIVEN TO STAFF INVOLVED WITH THE INSTALLATION AND MAINTENANCE OF THIS PRODUCT

OPERATING YOUR NEXUS 26G

1.



Using the finger lip at the front of the lid, lift the lid upwards.

2.



Lift the lid to the upright position until the stay feature holds the lid.

3.



Tilt the door forward until the door is held in the open position.

4.



Once the door is tilted forward the liner retention band is exposed.

5.



Install the correct size liner bag (26G available from Glasdon, Inc.) by hooking onto the retention lugs at the front of the door.

6.



Fold the liner bag around the liner retention band so the liner bag is held securely then close the door followed by the lid.

CLOSING YOUR NEXUS 26G

7.



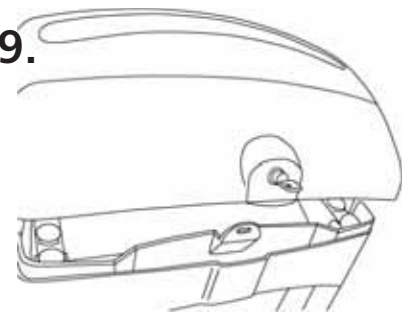
Pivot the door backward into original position.

8.



Pivot the lid forward so it locates over the door to secure the unit.

9.



The Confidential Paper model comes complete with a push lock, which is located at the front of the unit. With the lid shut, push the lock center to lock the unit (the lock is available as an optional extra on all models).

EMPTYING YOUR NEXUS 26G

10.



Open the unit as detailed in section 1 to 3.

11.



Should the contents be light in weight (i.e. cans or plastic bottles) the contents may be lifted from the unit.

12.



Two casters are located at the front of the door which allow it to be tilted and wheeled from the body providing excellent access to the contents and for cleaning.

13.



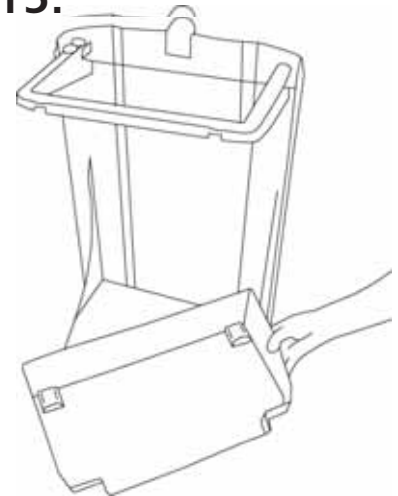
The door can now be utilized to transport heavy waste (i.e. paper a short distance to a collection area).

14.



The contents can now be removed from the door safely without the need for lifting.

15.



The door comes complete with a drip tray to collect any spills and is removable for easy cleaning.

OPENING YOUR NEXUS CUP COLLECTOR

16.



Using the finger lip at the front of the lid, lift the lid upwards.

17.



Lift the lid to the upright position until the stay feature holds the lid.

18.



Tilt the door forward until the door is held in the open position.

USING THE CUP STACKING TUBES

19.



The door and lid remain in the open position exposing the stacking tubes.

20.



Insert the correct size liner bag (26G - available from Glasdon, Inc.) by lowering between the two halves of the stacking tubes.

21.



The door is now pivoted back clamping the liner bag between the stacking tubes.

22.



Once the door is in the closed position, secure the liner bag with the use of the liner retention clips.

23.



Ensuring the liner is open in all the stacker tubes, return the lid to the closed position.

EMPTYING YOUR NEXUS CUP COLLECTOR

24.



First pivot the lid upwards until it is held in the upright position.

25.



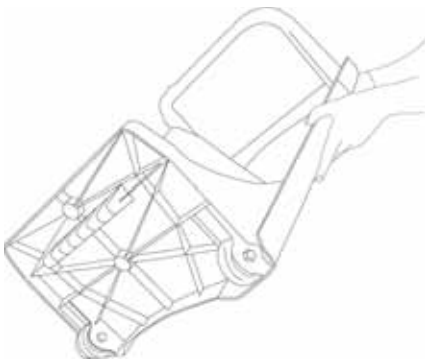
Remove the liner from the liner bag retention clips at the front and rear.

26.



Tilt the door forward until the door is held in the open position and remove the liner bag.

27.



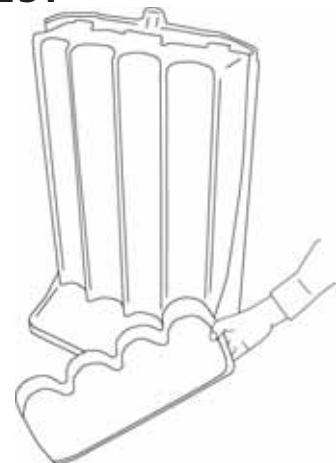
Two casters are located at the front of the door, which allow it to be tilted and wheeled from the body providing excellent access.

28.



The door can now be wheeled from the unit allowing the inside of the unit to be easily cleaned.

29.



The door comes complete with drip tray to collect any spills and is removable for ease of cleaning.

EMPTYING YOUR SIDE POD RESERVOIR

30.



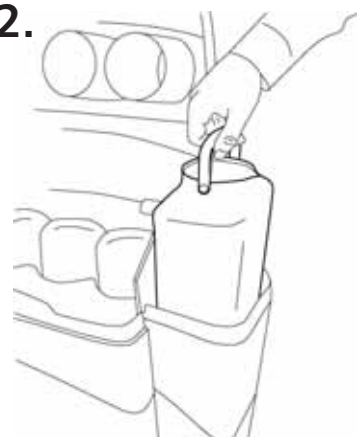
With the main lid open use the finger grip at the front of the funnel to lift.

31.



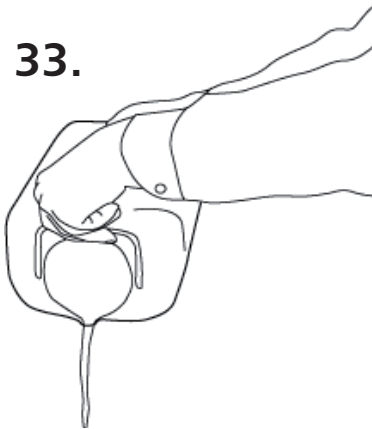
The funnel is then removed from the side pod for ease of access and cleaning.

32.



Using the handle on the reservoir, remove from the side pod to empty.

33.



Use the spout to ensure the reservoir is emptied easily and neatly.

34.



The reservoir has a large opening and is easily cleaned with warm soapy water.

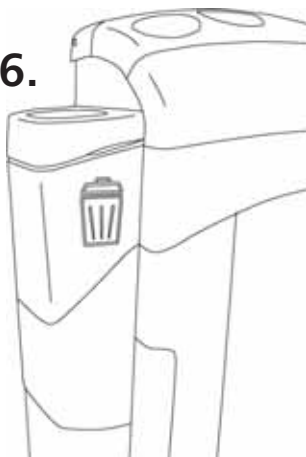
35.



Return the reservoir and funnel to complete the emptying procedure.

EMPTYING YOUR SIDE POD UNIT

36.



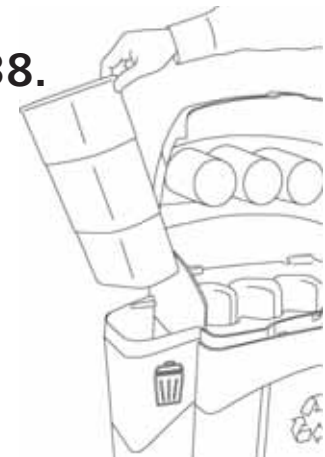
The side pod unit is opened in the same manner as the reservoir.

37.



Remove the trim using the finger grip located at the front.

38.



Remove the liner for emptying and cleaning.

ATTACHING YOUR SIGN KIT TO A NEXUS 26G

39.



After opening the unit and removing the door. Position the sign carrier at the rear of the unit and align the 5 fixing holes.

40.



From the inside of the unit attach the sign carrier to your Nexus 26G with the use of the 5 fixing screws provided.

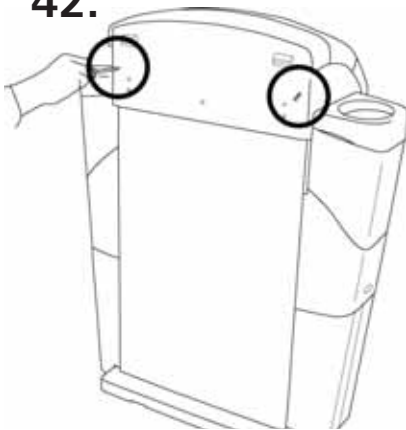
41.



With all 5 screws fully tightened your sign carrier is secured and ready for use.

ATTACHING YOUR SIGN KIT TO A NEXUS CUP COLLECTOR

42.



From the rear of the unit remove the upper 2 stacking tube fixing screws using a screwdriver (keep the 2 screws handy).

43.



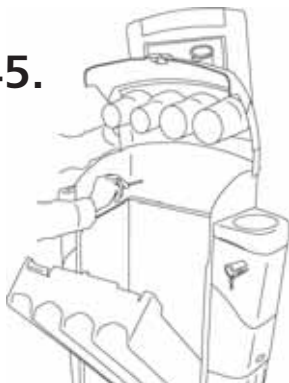
The stacking tubes can now be pivoted forward to reveal the fixing points for the sign.

44.



Line up the signs with the 5 fixing points on the unit.

45.



Using the 5 screws provided screw the sign to the unit as shown.

46.




Now the sign is attached to the unit, the stacking tubes must be re attached. Locate the tab on the stacking tubes with the main unit.

47.



From the rear of the unit re attach the tubes using the screws removed in step 42.

- A planned maintenance schedule of regular inspection is recommended, replacing components as necessary.
- Replacement components are available direct from GLASDON, Inc.
- GLASDON, Inc. cannot be held responsible for claims arising from incorrect installation, unauthorized modifications or misuse of the product.

 **Glasdon** AND NEXUS® ARE TRADEMARKS OF GLASDON GROUP OR ITS SUBSIDIARIES IN THE U.K. AND OTHER COUNTRIES

