

# Guardian™ Lifebuoy Housings

## Installation Instructions

**NOTE:** Ensure that all relevant personnel read the points listed below and that a copy is passed on to staff involved with the installation. Please also refer to the 'Manual Handling Operations Regulations 1992' during the handling of the product and materials used for installation. Glasdon recommends that a full Health and Safety analysis is carried out prior to installation.

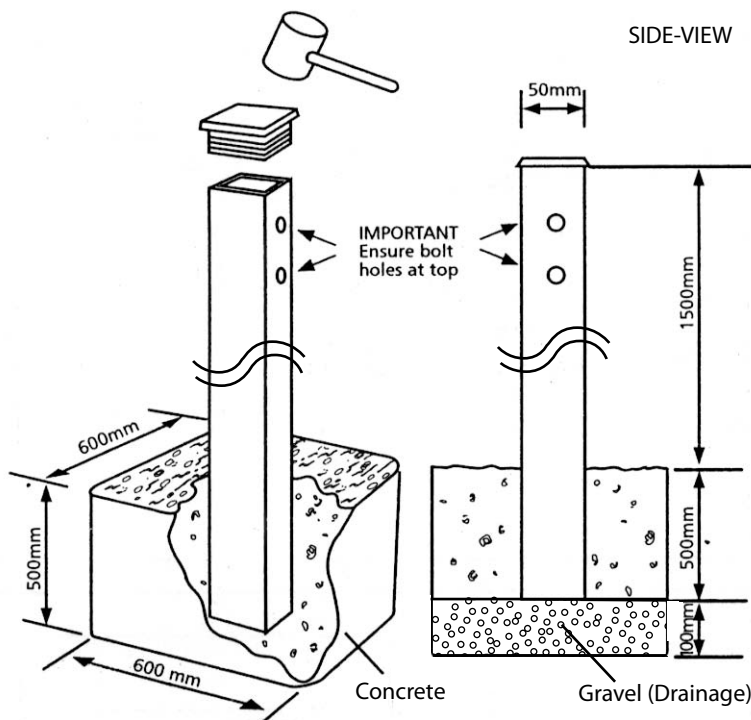
### SITING

The siting of the Lifebuoy Housings is dependent upon local conditions. Please consult your State / County Officials for local requirements.

Glasdon recommend that the Housings are sited so as to be accessible and clearly visible to a rescuer, wherever the rescuer is standing, taking into account terrain, foliage, adverse weather and low visibility. Siting should be undertaken after a local risk assessment, including walking the site.

### INSTALLING THE POLE

#### OPTION 1 - EXTENDED POLE FOR SETTING BELOW GROUND INTO CONCRETE

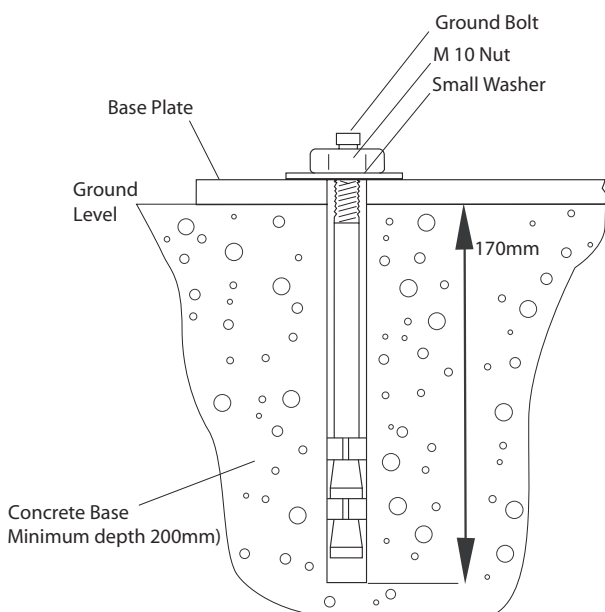


**WARNING:** Check for buried services before installation.

**WARNING:** It is recommended that two people install the pole (weight 12kg) .

- 1 Dig a hole to form a concrete block 600(L) x 600(W) x 500(D)mm with an additional 100mm depth of gravel at the base for drainage.
- 2 Insert the black end cap into the pole and tap in with a mallet.  
Important: Ensure that the bolt holes are at the top of the post and that the post is positioned in the correct orientation for the housing.
- 3 Place the pole in the hole and support whilst pouring in the concrete. Further support may be required until the concrete sets.

#### OPTION 2 - POLE WITH BASE PLATE FOR SURFACE FIXING TO CONCRETE



**WARNING:** It is recommended that two people install the pole (weight 12kg) .

- 1 Place the pole in the desired position onto the concrete foundation. NOTE: ENSURE THE FIXINGS ARE A MINIMUM OF 110MM AWAY FROM THE EDGE OF THE CONCRETE BASE. Mark all four hole positions through base plate with drill tip.
- 2 Remove the pole and drill holes to depth of 170mm using a 10mm diameter masonry drill.
- 3 Ensure holes are free from any obstructions caused by drilling.
- 4 Ensure that washers and nuts are screwed into position at the top of the bolts supplied.
- 5 Re-align the base plate with the drilled holes and tap down all four fixings.
- 6 Tighten up the nuts with 17mm socket until tight - (maximum recommended torque setting is 20lbs/ft/27Nm).

# MOUNTING THE HOUSING

All methods - Pole, Rail or Wall Mounting

- 1 Remove Lifebuoy and Rope.
- 2 Mount the Housing as instructed below.
- 3 Ensure throwing rope is securely tied to the Lifebuoy.
- 4 Replace Lifebuoy and Rope.
- 5 Set indicator plate.
- 6 Attach the security seal.

## POLE MOUNTING

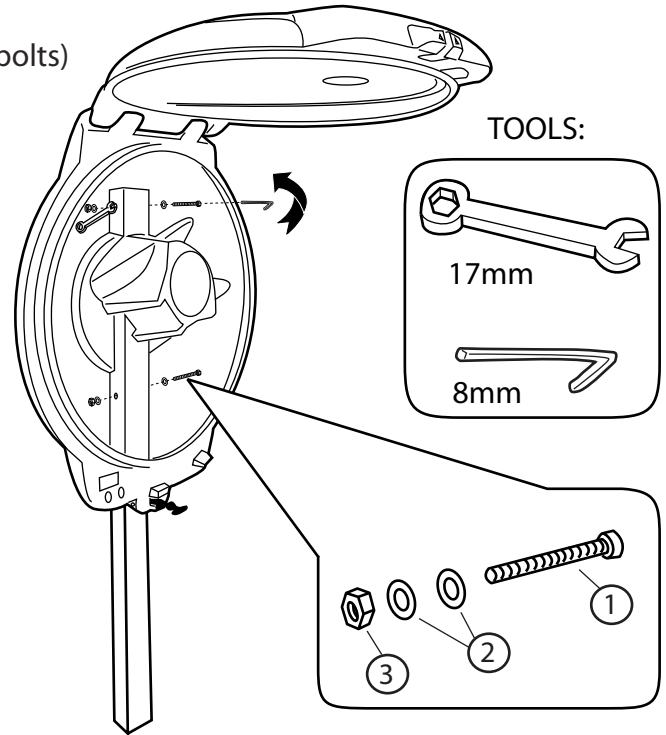
### Attaching Housing to 100 x 50mm pole (with internal bolts)

- 1 Place the Lifebuoy Housing onto the pole, open the lid. \*See Note
- 2 Place washer onto M10 x 130mm bolt and insert through the pre-drilled holes in the Housing and the pole.
- 3 Place 2nd washer onto the bolt protruding through the housing and attach the nut.
- 4 Repeat with the second bolt, then tighten using an 8mm Allen key and a 17mm socket.

\*Note: If using this fixing method for a 100 x 60mm pole, place the Housing on the pole and mark holes on both sides of the pole, using the Housing as a template. Drill four x 12mm holes in the pole.

#### KIT CONTENTS:

ITEM 1. M10 Socket Screw x 130mm	x 2
ITEM 2. M10 x 35mm Washer	x 4
ITEM 3. M10 Nylock Nut	x 2



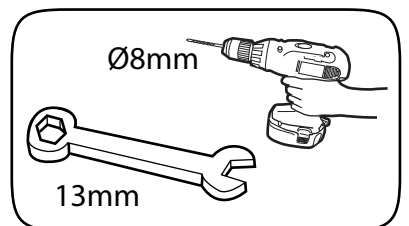
## RAIL MOUNTING

- 1 Position and clamp brackets to rail, using the longer bolts, marking hole positions on back of the Housing.  
Note: The Housing should not be mounted on a single horizontal or vertical rail unless there is additional support to prevent it rotating.
- 2 Drill the back of the Housing using an 8mm drill.
- 3 Offer the case up to the brackets and fix with the shorter bolts, ensuring the washers and nuts are on the inside. Tighten using a 13mm socket.

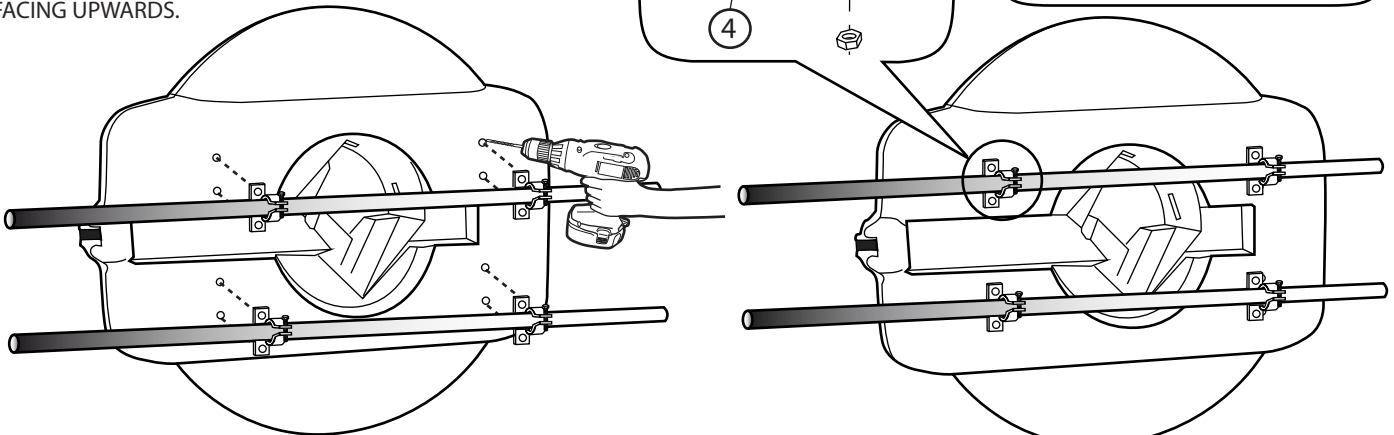
#### KIT CONTENTS:

ITEM 1. M8 x 40mm Set Screw	x 8
ITEM 2. Rail Mounting Bracket	x 8
ITEM 3. M8 Nylock Nut	x 16
ITEM 4. M8 x 30mm Washer	x 8
ITEM 5. M8 x 25mm Set Screw	x 8

#### TOOLS:



**IMPORTANT**  
Guardian **MUST** BE MOUNTED IN THIS ORIENTATION WITH THE HINGE TO THE LEFT AND THE ROPEMASTER RETENTION TABS FACING UPWARDS.



## WALL MOUNTING

- 1 Drill four outer holes in the back of the Housing using a 6mm drill.
- 2 Offer the Housing up to the wall and mark the position of the holes.
- 3 Drill the wall using a 7mm masonry drill and plug wall.
- 4 Offer the Housing up to the wall and secure with the washers and screws provided, using a flat bladed screwdriver.

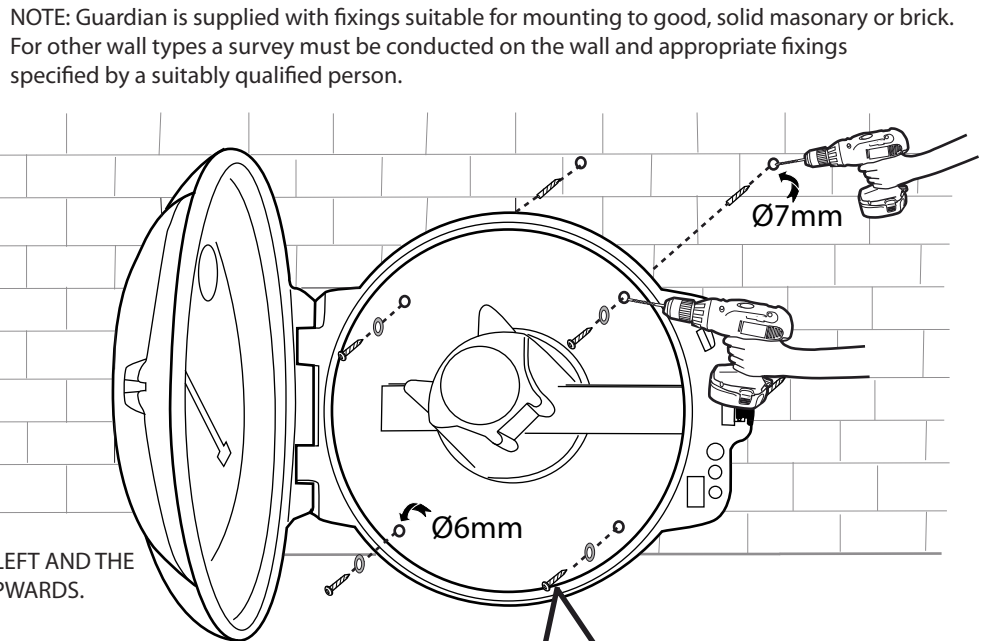
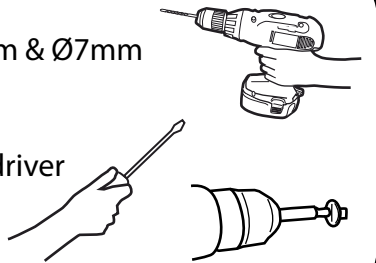
### IMPORTANT

Guardian **MUST** BE MOUNTED IN THIS ORIENTATION WITH THE HINGE TO THE LEFT AND THE ROPEMASTER RETENTION TABS FACING UPWARDS.

### TOOLS:

Ø6mm & Ø7mm

Flat Bladed Screwdriver  
or Screwdriver bit



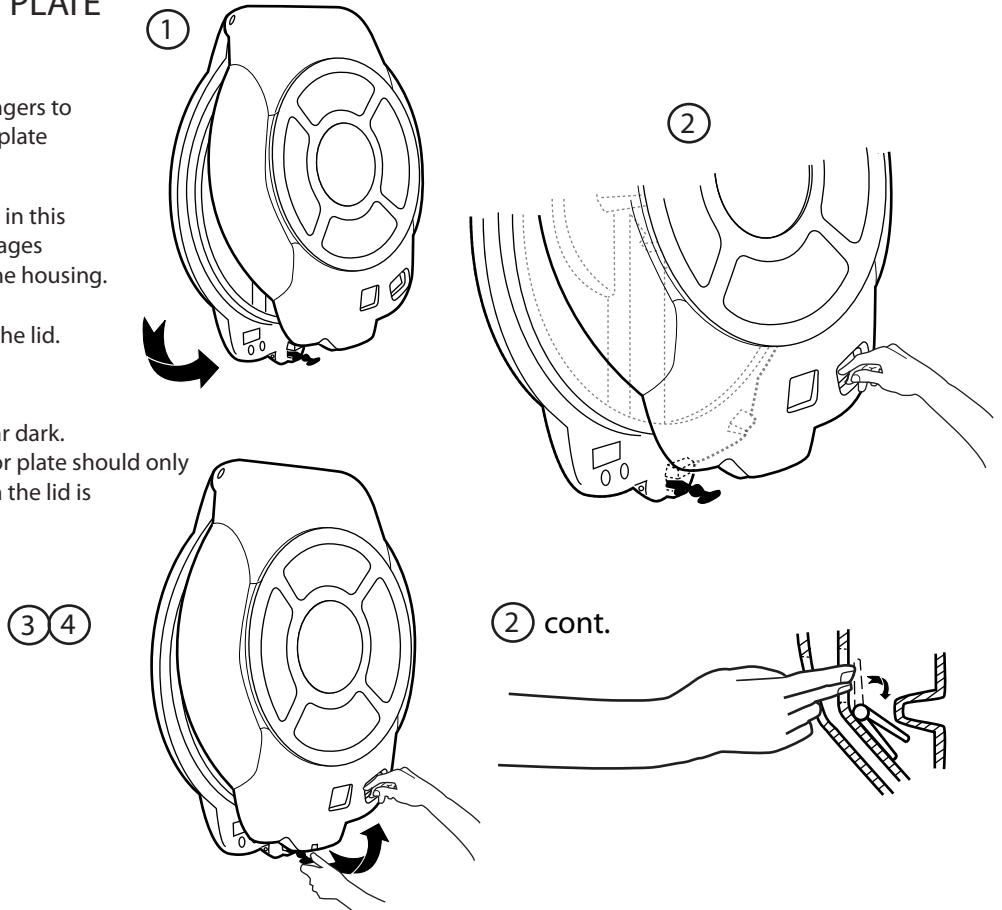
### KIT CONTENTS:

ITEM 1.	5mm x 40mm Screw	x 4
ITEM 2.	M6 x 30mm Washer	x 4
ITEM 3.	No.12 Wall Plug	x 4

## SETTING THE INDICATOR PLATE

- 1 Partially open the lid.
- 2 From the front of the lid, use your fingers to push and rotate the white indicator plate fully inside the lid.
- 3 Close the lid with the indicator plate in this position, ensuring the the plate engages under the upstand on the body of the housing.
- 4 Pull up the rubber toggle to secure the lid.

Note: The aperture should now appear dark. Unless reset or inoperative, the indicator plate should only show white through the aperture when the lid is subsequently opened.



## INSPECTION

Glasdon recommend that the rope and buoy are fully inspected at least twice a year.

If there is any doubt regarding the serviceable condition then replace.

Spare kits are available.

## IMPORTANT

The Lifebuoy Housing Indicator Plate and Security Seal are secondary devices to help indicate that the Housing has been opened. They must never replace full regular inspection, as they cannot guarantee that the equipment is in place or in a serviceable condition.

A planned maintenance schedule of regular inspection at least twice a year (dependent on location) is recommended, replacing components as necessary.

Replacement components are available direct from GLASDON.

Glasdon cannot be held responsible for claims arising from incorrect installation, unauthorised modification or misuse of the product.

Should you require any further assistance please contact us

In accordance with our policy of continuous development and improvement, we reserve the right to make changes in design and specification without notice.

