



# FIDO™ DOG WASTE STATION

## Installation Instructions - PERMANENT WALL MOUNTING

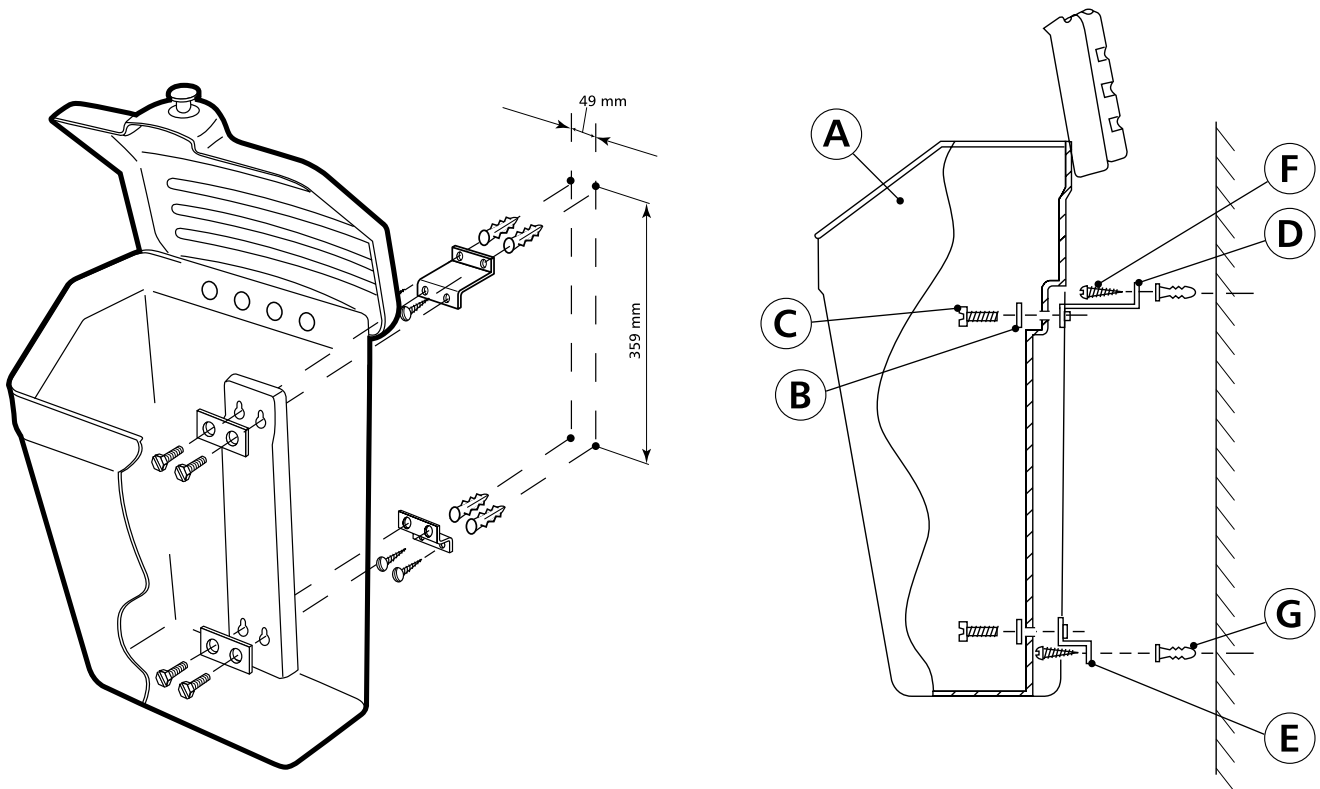
**IMPORTANT:** ENSURE THAT ALL PERSONNEL READ THE POINTS LISTED BELOW AND THAT A COPY IS PASSED ON TO STAFF INVOLVED WITH THE INSTALLATION.

### TOOLS REQUIRED:

Electric/Cordless Power Drill & Safety Glasses  
Masonry Drill Bit Number 14 (9.32")  
Hammer  
Screwdriver

### HARDWARE

Screws number 12 x 2.5" Round Head Screws	x4
Two Hole Washer Plates	x2
'C' Type Brackets	x2
No. 12 wall plugs	x41



1. Using two-holed washer plates as a template mark drill position holes on to the wall at the desired height. ENSURE THAT BOTH SETS OF FIXING HOLES ARE MARKED VERTICALLY BELOW EACH OTHER AND ARE THE CORRECT DISTANCE APART AS SHOWN.
2. Drill and plug wall ready to accept screw fixings.
3. Assemble washer plates, and secure from inside the dog waste station in both top and bottom positions.

 **Glasdon** AND FIDO 25™ ARE TRADEMARKS OF GLASDON GROUP OR ITS SUBSIDIARIES IN THE U.K. AND OTHER COUNTRIES

A planned maintenance schedule of regular inspection is recommended, replacing components as necessary.

Replacement components are available direct from Glasdon, Inc.

Glasdon, Inc. cannot be held responsible for claims arising from incorrect installation, unauthorized modifications or misuse of the product.

Issue 1 August 2011 Stock no. C000/00228

Copyright 2011

Glasdon reserves the right to alter specifications without prior notice.





# FIDO™ DOG WASTE STATION

## Installation Instructions - PERMANENT POST MOUNTING

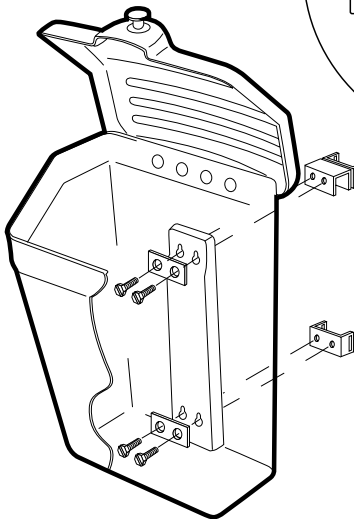
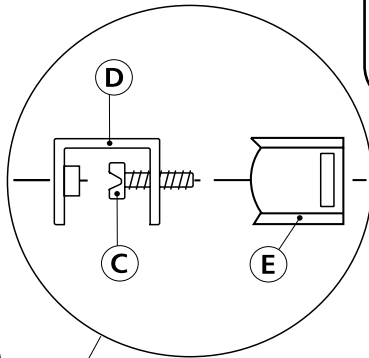
**IMPORTANT:** ENSURE THAT ALL PERSONNEL READ THE POINTS LISTED BELOW AND THAT A COPY IS PASSED ON TO STAFF INVOLVED WITH THE INSTALLATION.

### TOOLS REQUIRED:

Installation Instructions  
Screwdriver

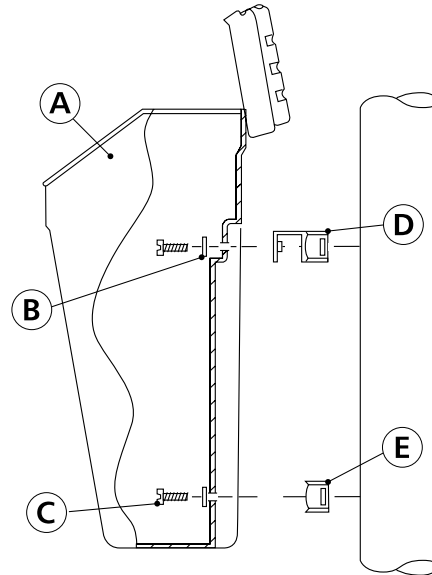
### HARDWARE

A. Container Outer c/w Lid	
B. Washer Plates	x2
C. Hex Head Slotted Screw	x4
D. 'C' Bracket c/w Extension	x1
E. 'C' Bracket	x1



### 1. UPPER MOUNTING

Hold 'C' bracket c/w extension (D) to back of container body, in line with the top pair of pre-drilled holes. Using the washer plate (B) and two hex-head screws (C) fix the bracket assembly to the container.



### 2. LOWER MOUNTING

Repeat the fixing operation with second 'C' bracket (E), attach it to the container through the lower pair of pre-drilled holes.

**3. Fix around selected post** using either TESPA banding or TAMTORQUE system through both 'C' brackets.

*Note: TESPA banding is not included with the kit, but is available from Glasdon UK as a separate kit.*



**Glasdon** AND FIDO 25™ ARE TRADEMARKS OF GLASDON GROUP OR ITS SUBSIDIARIES IN THE U.K. AND OTHER COUNTRIES

A planned maintenance schedule of regular inspection is recommended, replacing components as necessary.

Replacement components are available direct from Glasdon, Inc.

Glasdon, Inc. cannot be held responsible for claims arising from incorrect installation, unauthorized modifications or misuse of the product.

Issue 1 August 2011 Stock no. C000/00228

Copyright 2011

Glasdon reserves the right to alter specifications without prior notice.



# Glasdon

Glasdon, Inc.