

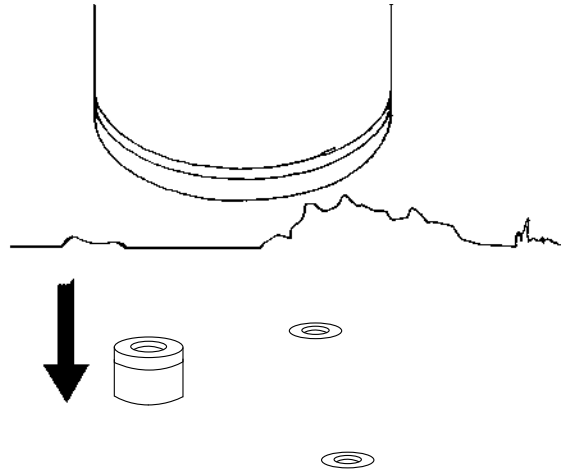
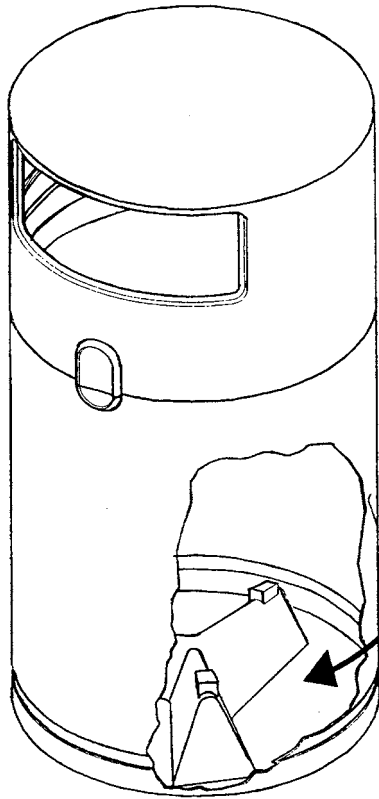


Community Litter Bin

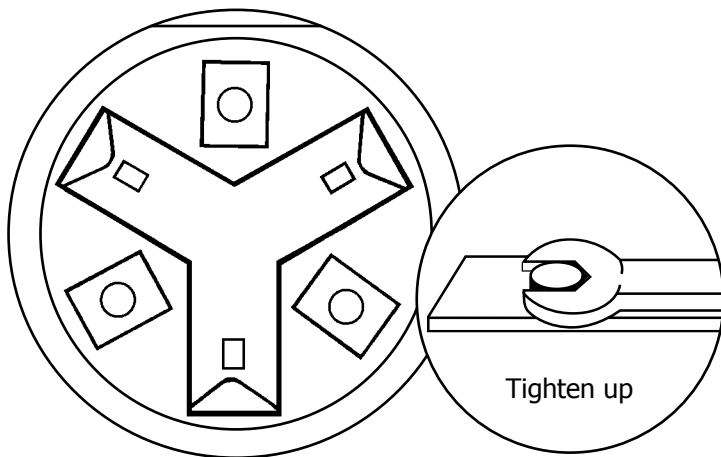
Operating Instructions

GROUND FIXING

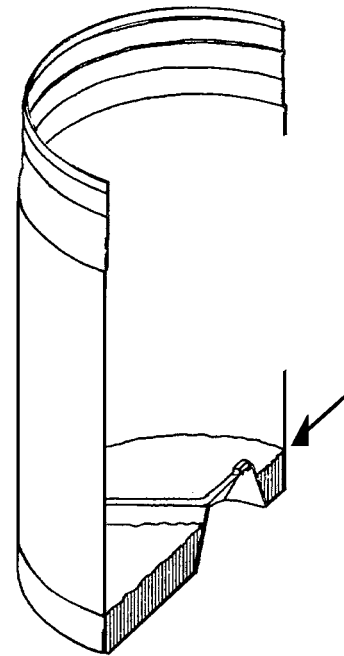
1. The three "pips" in the trash can base should be drilled through with a 9mm diameter drill.



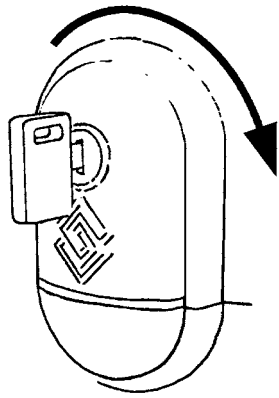
2. Place the trash can in the desired location; mark the ground through the drilled holes. Drill the ground with a 10 mm bit to a depth of 2½ inches. Remove the bolt from the shield. Insert the shield into the drilled holes. (top of the sleeve to be flush with ground).



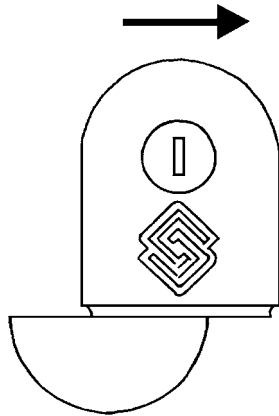
3. Locate the trash can molding over the 3 ground fixing points. Position the fixing plates over the holes and insert the bolts. Tighten the bolts down with a wrench or socket.



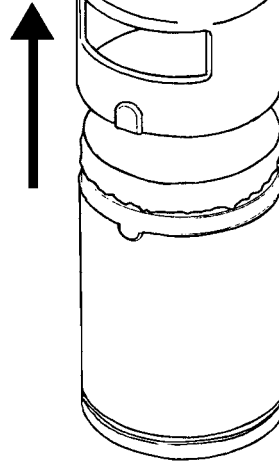
4. To remove the trash can, simply loosen and remove the bolts and anchor plates. The trash can is then free to be removed. The anchor sleeve may be left flush in the ground or removed.



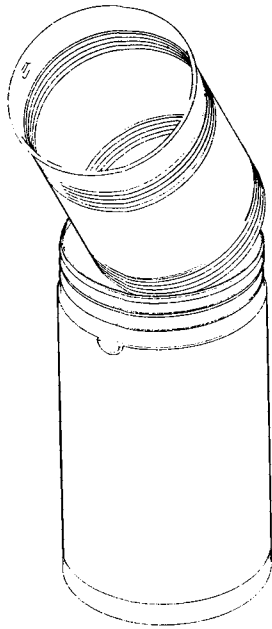
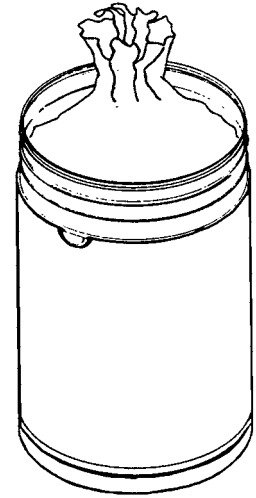
a. Turn the key clockwise to disengage.



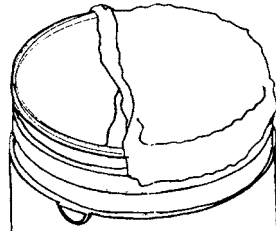
b. Rotate the hood counter-clockwise to disengage the locking mechanism.



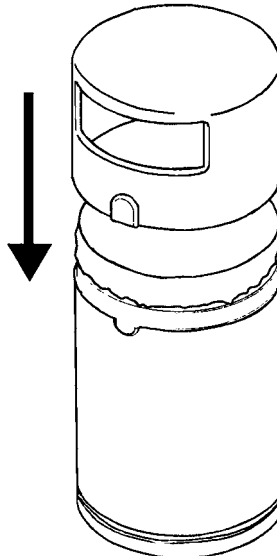
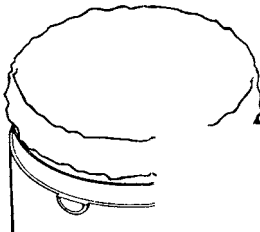
c. Keep the hood in the disengaged position & remove from the base.



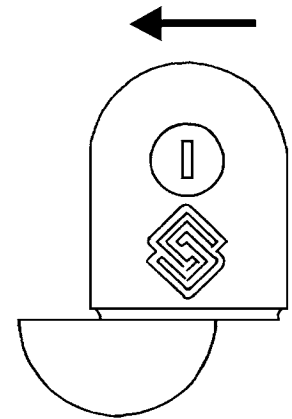
e. If necessary the metal liner should be removed and emptied.



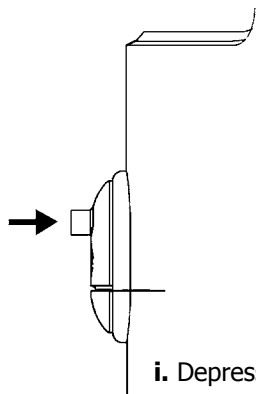
f. Stretch the recommended liner bag over the base 'neck', but no lower than the position marked. The unit is designed to accept standard 18" sacks (18"x29"x36"/39") & not cause a skirting effect (protruding liner bag when the bin is assembled). Larger size liner bags may be used but this may be to the detriment of the product's aesthetics.



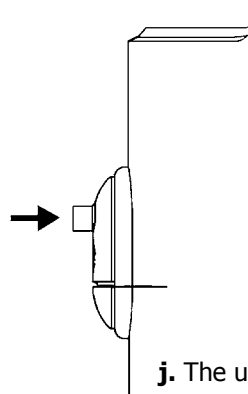
g. Replace the hood, ensuring that the lock bezel parts are on the same side.



h. Twist the hood clockwise to engage the locking mechanism, ensuring that the bezel details are correctly aligned.



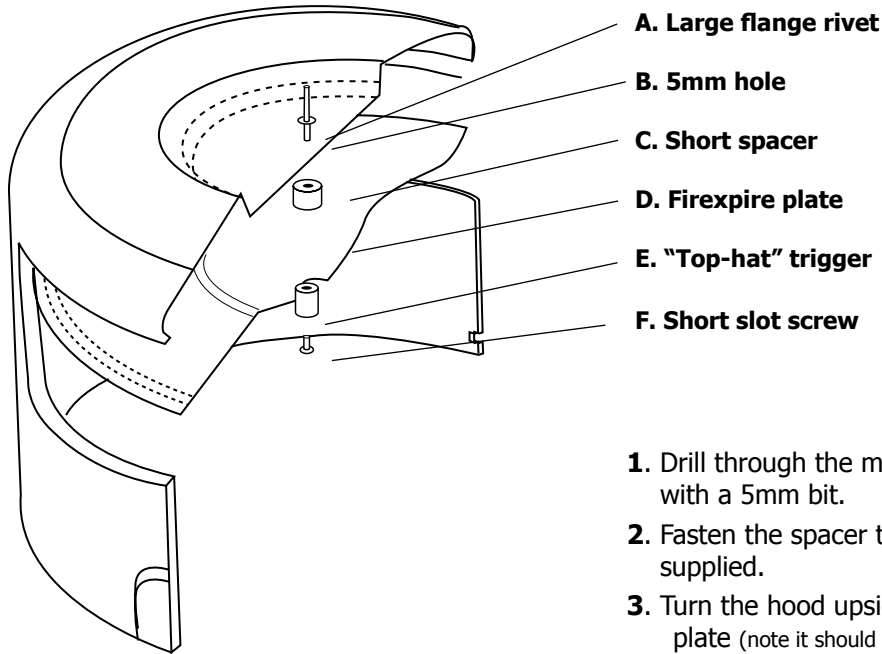
i. Depress the lock.



j. The unit is now locked.

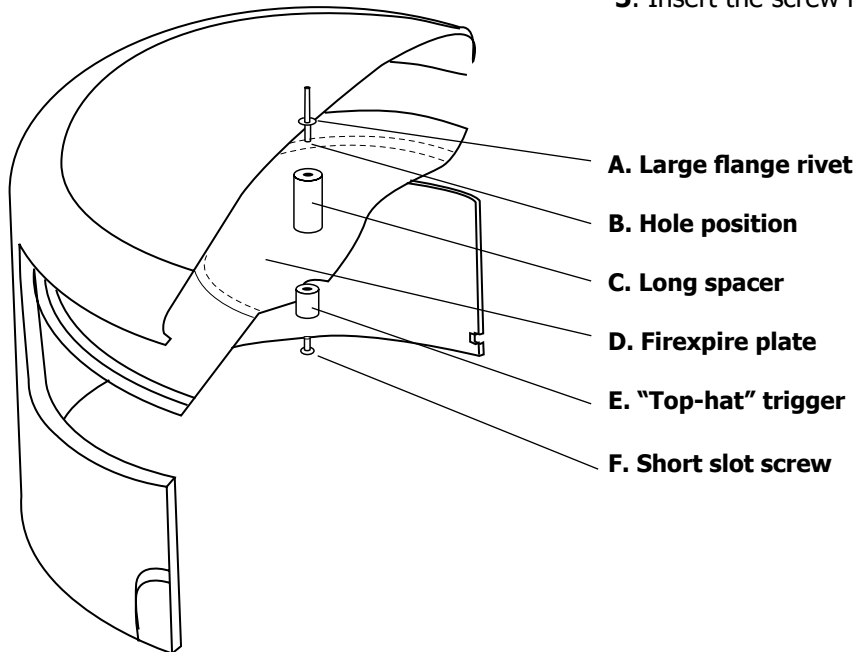
FIREXPIRE ASSEMBLY

FIREXPIRE KIT No.014-0014



1. Drill through the marked Ash tray/Hood position b) with a 5mm bit.
2. Fasten the spacer to the hood using the rivet supplied.
3. Turn the hood upside down & drop in the firexpire plate (note it should not show above the apertures)
4. Push the 'top-hat' trigger into the hole in the firexpire plate.
5. Insert the screw into the 'top-hat' trigger & tighten.

FIREXPIRE KIT No.014-0013



 **Glasdon** AND COMMUNITY™ ARE TRADEMARKS OF GLASDON GROUP OR ITS SUBSIDIARIES IN THE U.K. AND OTHER COUNTRIES

Any damaged components should be replaced. Spare are available direct from Glasdon, Inc.

Glasdon, Inc. cannot be held responsible for claims arising from incorrect installation, unauthorized modification or misuse of the product.

Issue 1 August 2011 Stock no. C000/0060

Copyright 2011

Glasdon, Inc. reserves the right to alter specifications without prior notice.

 **Glasdon**
Glasdon, Inc.