



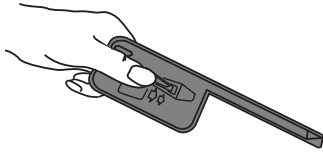
Glasdon

C-Thru™ RECYCLING UNIT

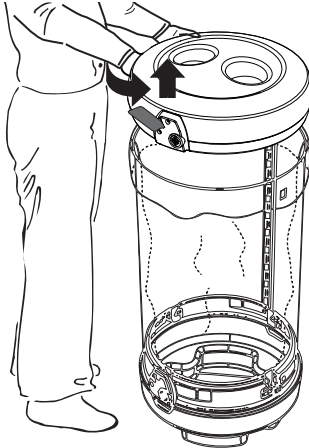
OPERATING AND ASSEMBLY INSTRUCTIONS

IMPORTANT NOTE: ENSURE ALL RELEVANT PERSONNEL READ THESE INSTRUCTIONS PRIOR TO OPERATION.

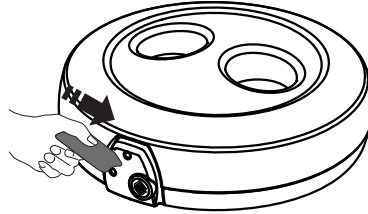
1. LINER INSTALLATION



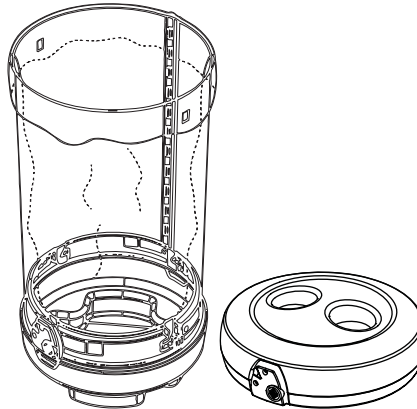
1.1 Ensure the illustration on the key is uppermost.



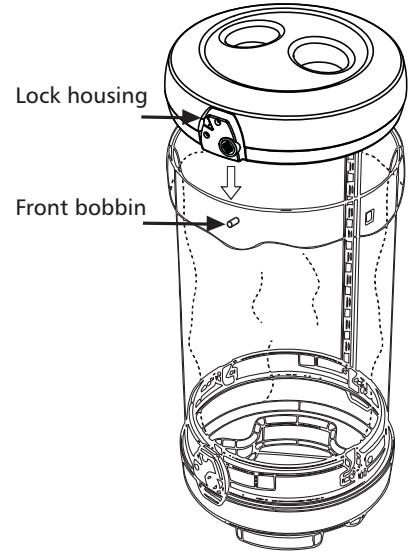
1.3 With the key still in position, turn hood counter-clockwise, then lift hood off. Remove the key.



1.2 Push the key all the way into the lock. (Do not turn the key). This will automatically release the locking mechanism.

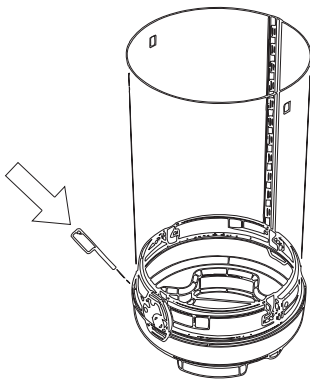


1.4 Place a clear sack into the body and hook over the rim with approximately 2 inches overhang.

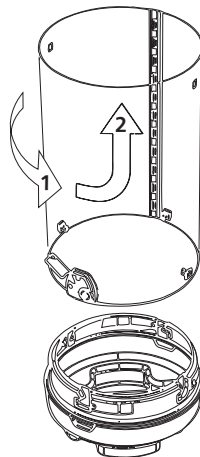


1.5 Place the hood onto the body and align the lock housing with the front bobbin by turning the hood. Push the hood firmly downward to automatically lock the unit.

2. UNIT DISASSEMBLY

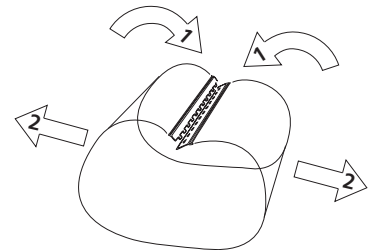


2.1 Remove hood as (1) above, remove sack if present. Insert the plastic key into the lock.



2.2 Hold the body with both hands, twist counter-clockwise and lift away from the base. Remove the key and keep safely.

SAFETY NOTE: We would recommend wearing safety gloves as the edges of the interlocking mechanism may be sharp.



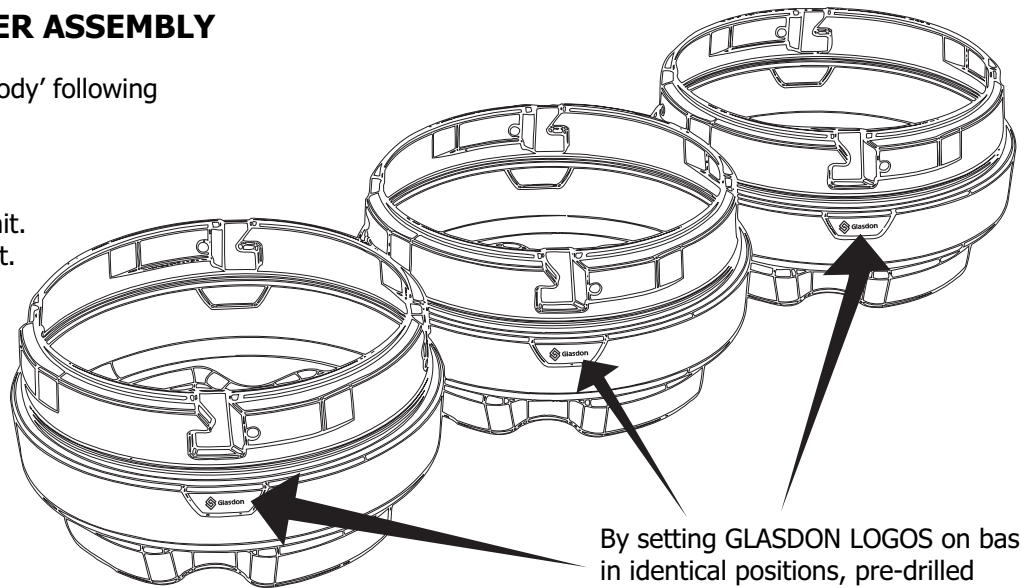
2.3 To disassemble the body place on a well-protected and soft surface, joint uppermost. Push down either side of the interlock to disconnect the tabs, and allow the sheet to spring flat.

3. LINKING CLUSTER ASSEMBLY

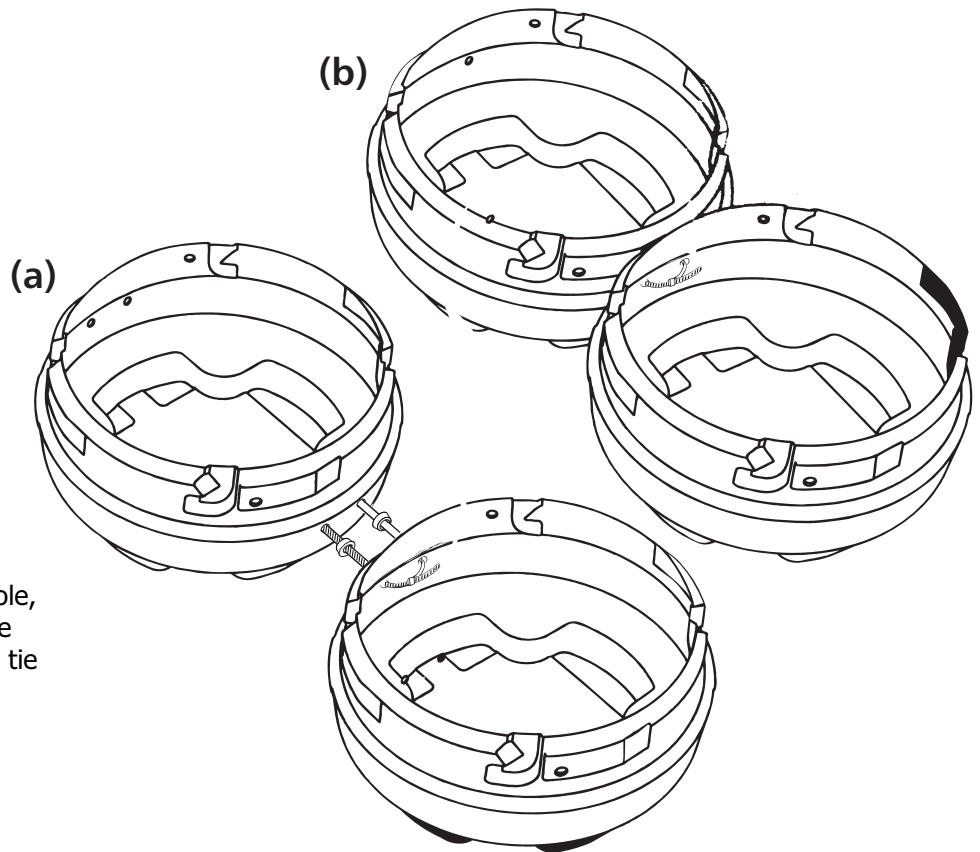
Remove 'C Thru unit body' following figures 4 & 5 overleaf.

Hardware: -

1. One cable tie per unit.
2. Two spacers per unit.




By setting GLASDON LOGOS on base in identical positions, pre-drilled connection holes will be aligned.



Pass cable tie through one of the holes in the base, slide on first spacer, and pass through corresponding holes in the next base. Return through adjacent hole, add spacer and pass through hole in the first base (a). Fasten cable tie and pull reasonably tight (b).

- A planned maintenance schedule of regular inspection is recommended, replacing components as necessary.
- Replacement components are available direct from GLASDON, Inc.
- GLASDON, Inc. cannot be held responsible for claims arising from incorrect installation, unauthorized modifications or misuse of the product.



 **Glasdon** AND C-THRU ARE TRADEMARKS OF GLASDON GROUP OR ITS SUBSIDIARIES IN THE U.K. AND OTHER COUNTRIES