



Ashmount™

0.4G & 0.8G CIGARETTE UNITS

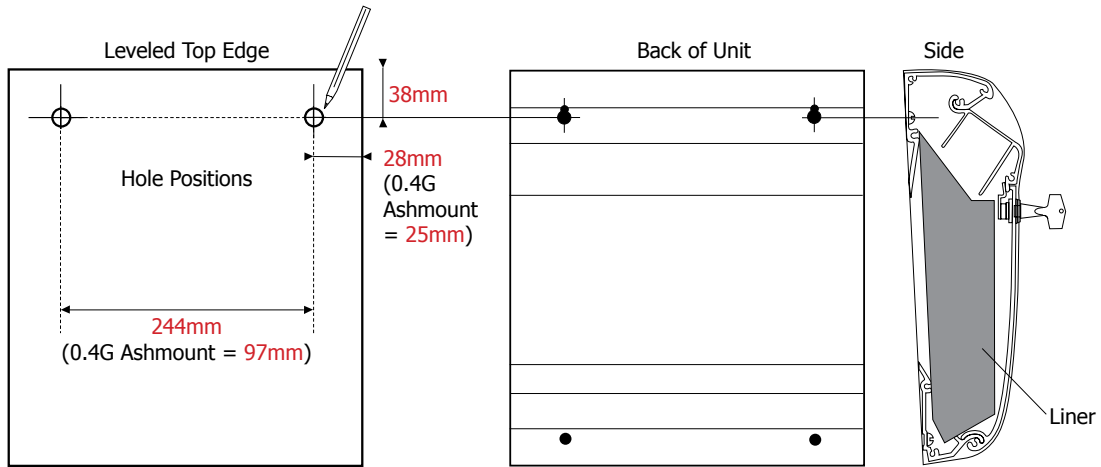
USER MANUAL AND INSTALLATION INSTRUCTIONS



IMPORTANT NOTE: ENSURE THAT ALL RELEVANT PERSONNEL READ THE POINTS LISTED WITHIN THIS LEAFLET AND THAT A COPY IS GIVEN TO STAFF INVOLVED WITH THE INSTALLATION AND MAINTENANCE OF THIS PRODUCT.

WALL MOUNTING - Using the 4 woodscrews and 4 wall plugs from the wall mounting kit supplied.

1. Select a suitably smooth, vertical wall mounting location and mark along the unit's top edge.
2. From this outline mark out 2 hole positions.
3. Drill both hole positions using **5.5mm** masonry drill bit to a depth of at least 1½ inches.
4. Plug both holes using 2 of the wall plugs.



5. Screw 2 of the woodscrews into the wall plugs leaving them approx. **3mm proud** (Fig. a).
6. Place the unit's keyhole slots over the screwheads and pull down to engage them; adjust the screws in/out to ensure a secure fit (Fig. b).
7. Open the door using the key provided, remove the metal liner and mark the 2 remaining hole positions (Fig. c).
8. Remove the unit and repeat 3 & 4 as above.
9. Replace the unit and finally secure it to the wall using the 2 remaining woodscrews.

Fig. a

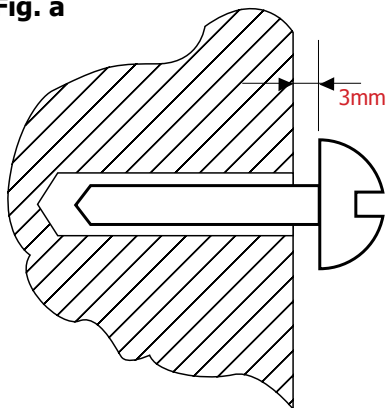


Fig. b

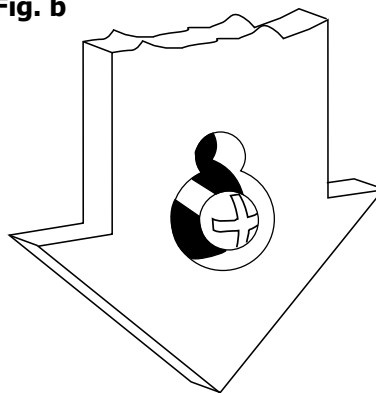
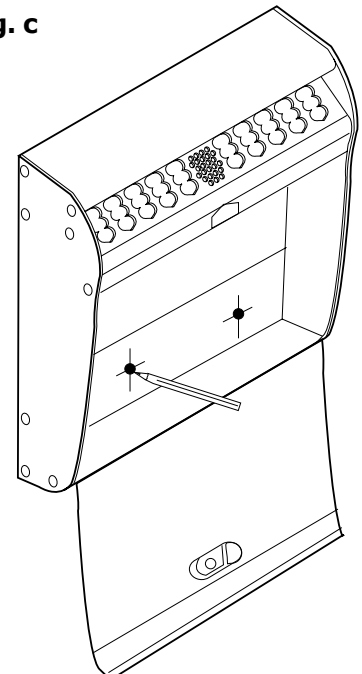


Fig. c



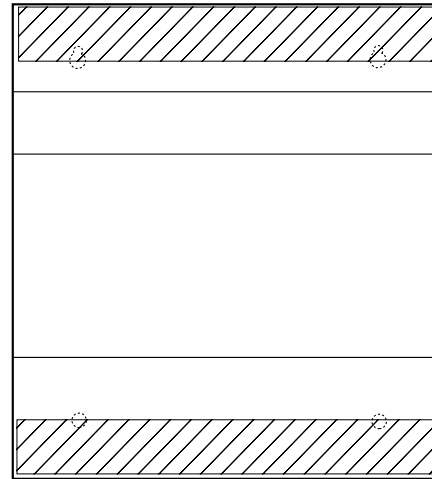
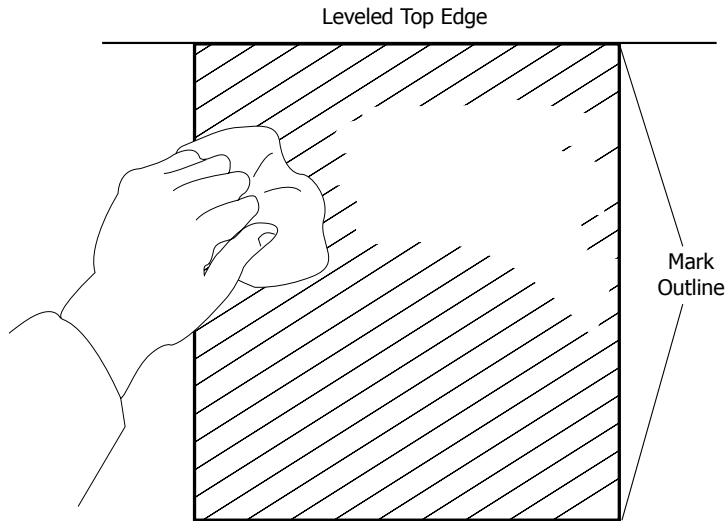
IMPORTANT NOTE: To avoid the unit twisting on a slightly uneven surface, care should be taken when tightening the woodscrews so that when the door is closed at regular intervals it does not misalign.

WARNING:
DO NOT MOUNT NEAR OR ON COMBUSTIBLE MATERIALS.

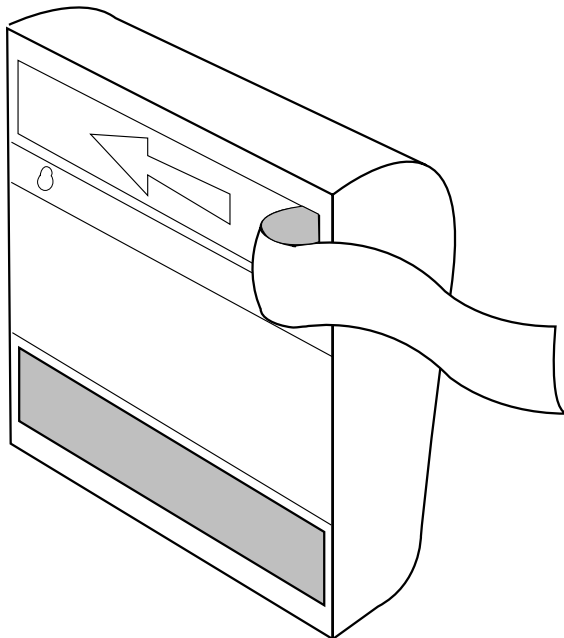
GLASS MOUNTING - Using the 2 adhesive strips, 2 cleaning sachets and backing label supplied in the optional extra glass mounting kit.

(Order No. 100/7616 or for the 0.4G Ashmount 100/7702)

1. Select a suitable vertical mounting location and mark around the unit's outline.
2. Clean the glass within this area using warm mild detergent solution, rinse well, dry thoroughly using a cloth and allow to dry completely in the air for a few minutes.
3. Using the first sachet clean the glass at least within the areas indicated by cross-hatching.
4. Using the second sachet wipe clean the back of the Ashmount as indicated by cross-hatching.



5. Remove each adhesive strip individually from the larger backing film and with firm pressure apply each one centrally onto the areas previously cleaned in 4.



6. Remove the protective film from both adhesive strips then carefully position the unit over the mounting location and with firm pressure for at least 30 seconds apply it to the glass. Gently warm the area of adhesion on the reverse side of the glass for about a minute (e.g. Using a domestic hair dryer) to promote bond strength. 50% bond strength will be reached after 10 minutes, 90% after 24 hours.
7. Backing label supplied to obscure rear view of Ashmount. Apply on reverse side of glass once the protective film has been removed.



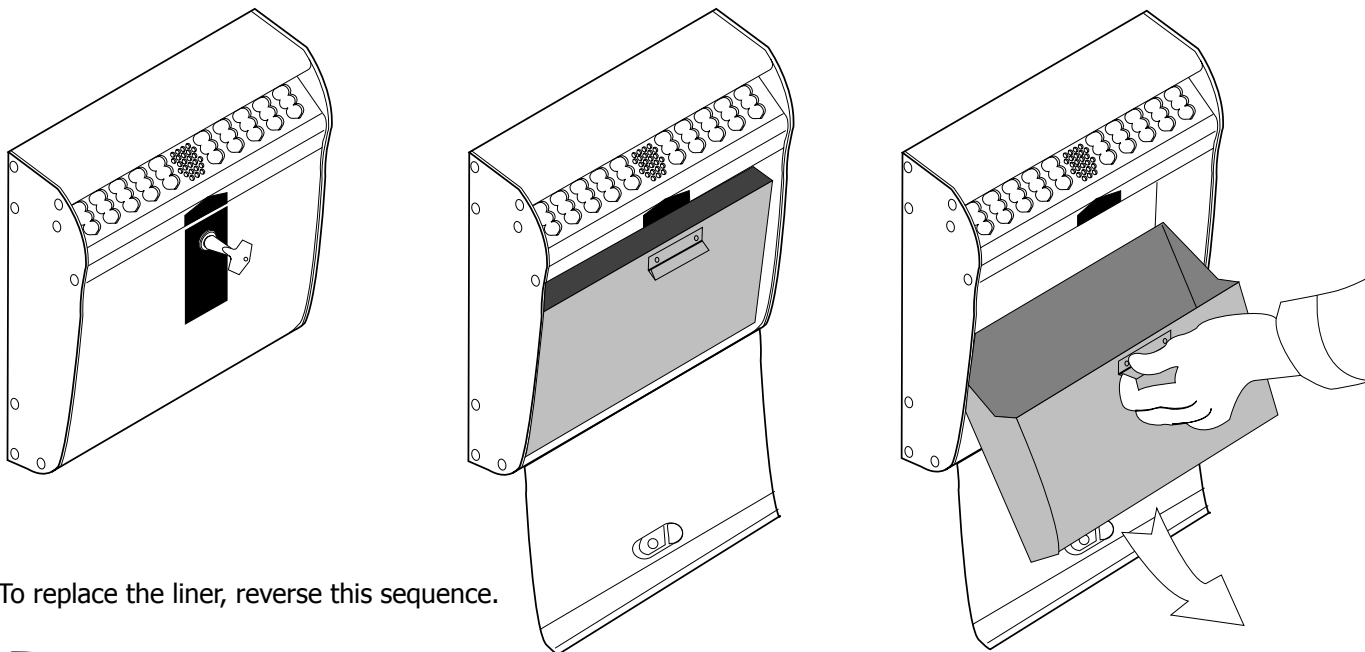
**WARNING:
DO NOT MOUNT NEAR OR ON COMBUSTIBLE MATERIALS.**

USING AND MAINTAINING YOUR ASHMOUNT

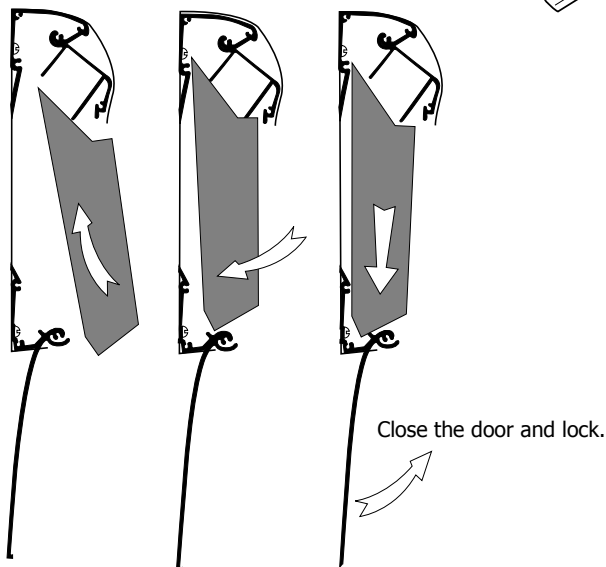
1. EMPTYING

1.1 Using the key provided, open the door.

1.2 Lift the liner slightly until the bottom of the liner is free from its location point. The liner may then be lowered from the container outer for emptying purposes as shown in the diagram.




1.3 To replace the liner, reverse this sequence.



2. CLEANING

Clean the Ashmount using warm, soapy water and rinse well. Dry thoroughly. Alternatively use a non-wax spray polish. Do not use an 'Aluminum Only' cleaner.

- A planned maintenance schedule of regular inspection is recommended, replacing components as necessary.
- Replacement components are available direct from GLASDON, Inc.
- GLASDON, Inc. cannot be held responsible for claims arising from incorrect installation, unauthorized modifications or misuse of the product.

 **Glasdon** AND ASHMOUNT ARE TRADEMARKS OF GLASDON GROUP OR ITS SUBSIDIARIES IN THE U.K. AND OTHER COUNTRIES

