



Ashguard™ SG

**Cigarette unit with SmokeGuard: A unique smoke dampening device
INSTALLATION INSTRUCTIONS AND USER MANUAL**



IMPORTANT NOTE: ENSURE THAT ALL RELEVANT PERSONNEL READ THE POINTS LISTED WITHIN THIS LEAFLET AND THAT A COPY IS GIVEN TO STAFF INVOLVED WITH THE INSTALLATION AND MAINTENANCE OF THIS PRODUCT.

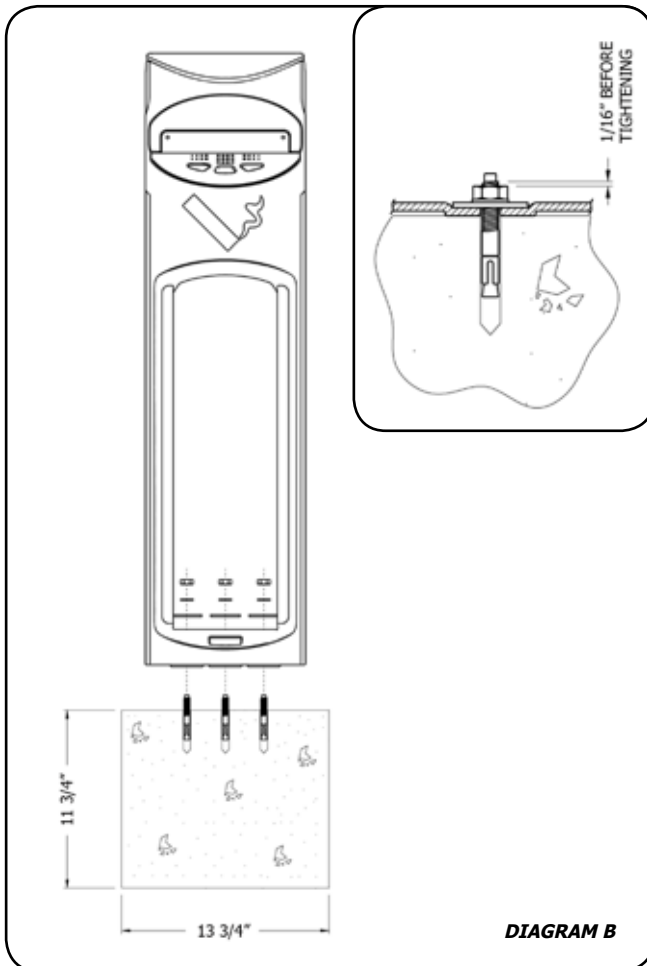
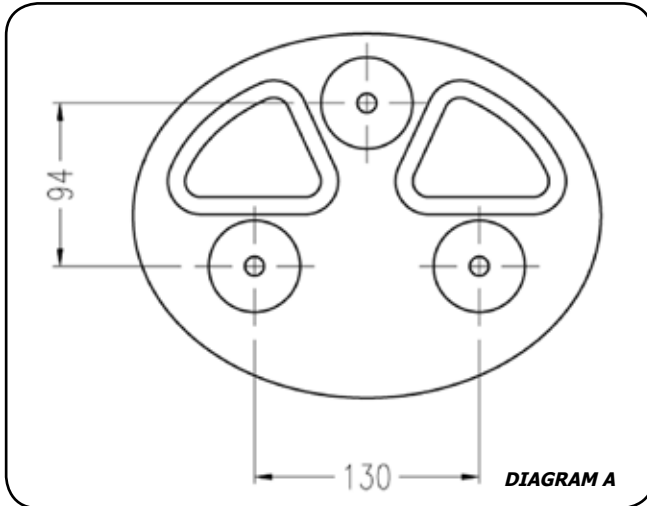
GROUND FIXING INSTALLATION INSTRUCTIONS

HARDWARE:

Anchor Bolts (M10 x 75mm) x3
 Washer (M10 x 50 x 3mm) x3

TOOLS REQUIRED

Battery Drill x1
 Pencil x1
 10mm Drill Bit x1
 17mm Socket Wrench x1



1. Select a suitable smooth and level surface on to which the Ashguard SG is to be secured. Ensure the location will allow the door to be opened safely i.e. away from a road and doesn't block pedestrian access. Also, take into consideration the face that the product is double sided and position so as the product can be used from both sides.
2. Unlock the door using the key provided (by turning it clockwise) and remove the door from the unit. Now remove the liner and place the Ashguard SG in the chosen position.
3. Mark the ground through the three fixing holes as shown in diagram A. Note: The unit may be fixed to a 2" (50mm) thick flag stone. The holes should be a minimum of 4½" from the flag stone edge.
4. Move the unit and using a 10mm drill bit drill to a depth of 3" in the three marked positions (with paving flags drill through the flag.) Clear excess dust from the holes.
5. Relocate the unit and insert the three ground fixing bolts into the drilled holes and drive until the nut and washer contact the base of the unit as shown in diagram B. Tighten the nuts using a 17mm wrench until the fixings are secure.
6. The liner can now be inserted into the unit and the door reattached and locked. The Ashguard SG is now ready for use.

GROUND FIXING INSTALLATION INSTRUCTIONS

HARDWARE

Concrete in fixings	x3
Washer M10 x 50 x 3mm	x3
Washer 50 x 11.5 x 3mm	x3
6mm Allen Key	x1
Screw (M10 x 80mm)	x3

TOOLS REQUIRED

Concrete Mix (Fast Setting)	
Equipment to excavate Hole	
Hack Saw (if depth of fixing needs adjusting)	x1
Level	x1

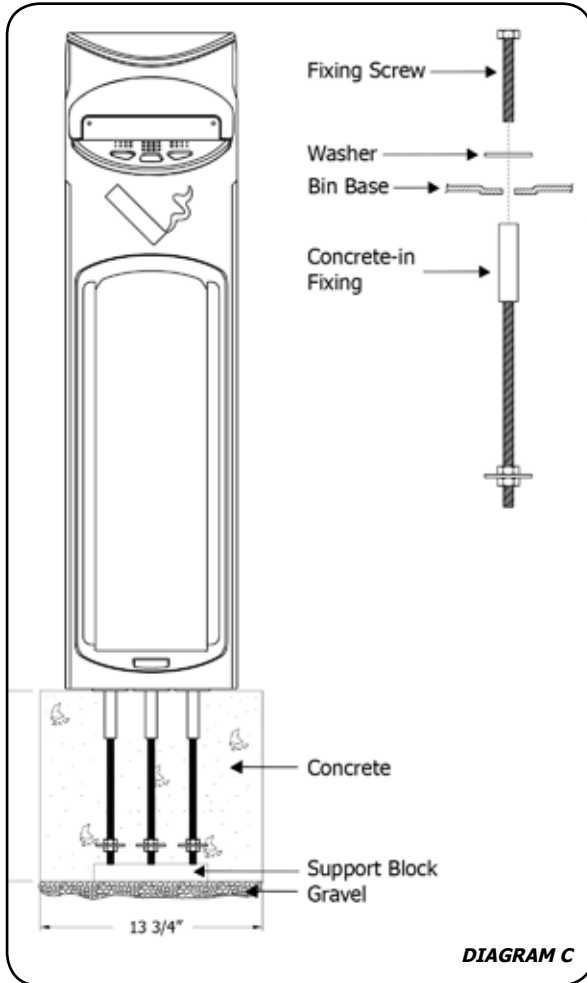


DIAGRAM C

1. Check for buried services before starting installation.
2. Prepare a hole 15³/₄" deep ensuring the edge of the foundation is a minimum of 4" from the unit fixing area as shown in the diagram.
3. Fully assemble and tighten the concrete-in fixings to the base of the unit.
4. If the depth is restricted to less than 15³/₄" the fixing can be adjusted by moving the bottom washer up the Concrete-in-fixings and cutting the bar to the desired length. We would recommend using the same volume of the concrete by increasing the width of the hole accordingly.
5. Place aggregate and support blocks in the base of the prepared hole.
6. Assemble to concrete-in fixings onto the base of the unit and place into the hole ensuring that the fixings rest on the support blocks and that the unit is vertically level.
7. Remove the unit and fixing assembly and pour the concrete mix into the prepared hole to the desired level.
8. Ensure the unit is orientated correctly with regard to the site requirements.
9. Fully insert the concrete-in fixing assembly into the concrete until the base of the unit is flush with the top surface of the concrete.
10. Ensure the unit remains vertically level during the concrete setting period.

FREE STANDING KIT INSTRUCTIONS

HARDWARE

Free Standing Base	x1
M10 Nut	x3
Washer (M10 x 50 x 30mm)	x3

TOOLS REQUIRED

17mm Socket Wrench	x1
--------------------	----

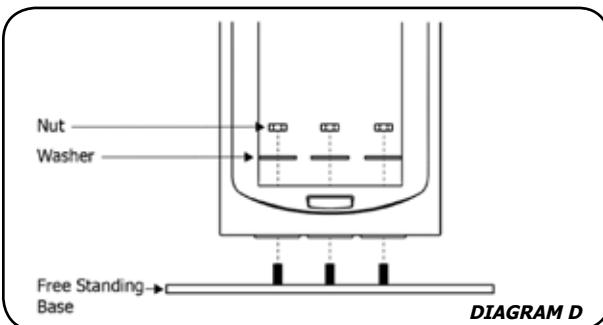
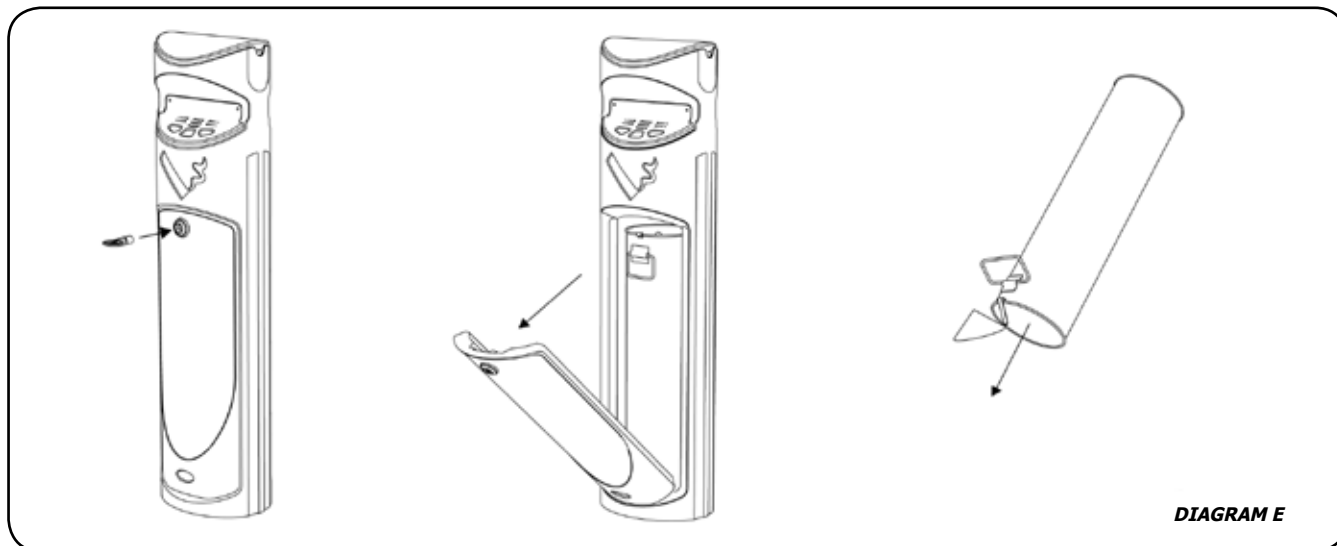


DIAGRAM D

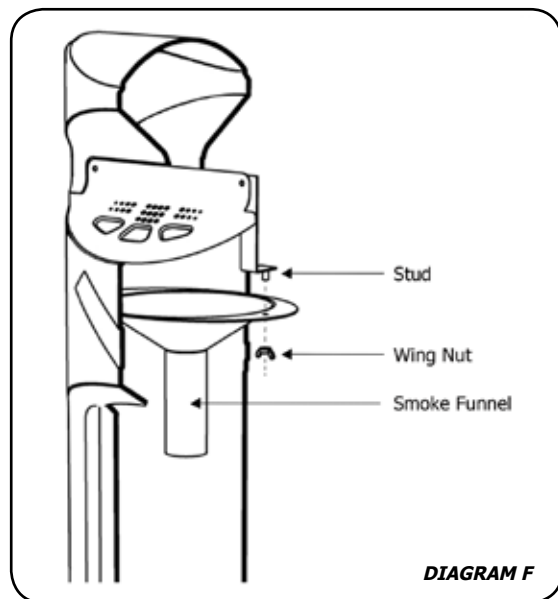
1. Unlock the Ashguard SG and remove the door and liner.
2. Position the unit on top of the free standing base ensuring the three studs on the base go through the three holes located within the unit.
3. Attach a washer and a nut to each stud and tighten using a 17mm wrench.
4. The liner can now be inserted into the unit and the door re-attached and locked. To move the Ashguard tilt it onto its side so the base can be rolled to the required location.

USING YOUR ASHGUARD SG



1. Unlock your Ashguard SG using the key provided by turning counter clockwise (see diagram above). The door can now pivot open to provide access to the liner.
2. If required the door can be completely removed to provide full access for cleaning or easy removal of the liner.
3. Empty the liner contents by simply tipping it upside down (the smoke baffle will pivot to allow the contents to fall freely)
4. To replace the liner simply re-insert it in to the unit, close and lock the door. If the door has been removed it is re-attached by locating the tab of the door into the groove of the main unit as shown above.

MAINTAINING YOUR ASHGUARD SG



To ensure the product works efficiently we recommend that the product is cleaned regularly with a warm pressure wash with soap or alternatively hand wash with 10% solution of mild detergent in warm water using a soft bristle brush followed by a rinse with clean water. Please pay regular attention to the funnel of the SmokeGuard located inside the unit.

In the unlikely event that the SmokeGuard funnel located within the unit becomes blocked it may need to be removed and fully cleaned. This is done by:

1. First open the unit and remove the door and liner as shown above.
2. The funnel is secured by two wing nuts, which can be removed by reaching up inside the unit and unscrewing them by hand.
3. After removing these, the funnel can now be removed and thoroughly cleaned.
4. Re-attach the funnel by locating it onto the studs within the unit and secure with the wing nuts earlier removed.



Glasdon AND ASHGUARD SG™ ARE TRADEMARKS OF GLASDON GROUP OR ITS SUBSIDIARIES IN THE U.K. AND OTHER COUNTRIES

A planned maintenance schedule of regular inspection is recommended, replacing components as necessary. Replacement components are available direct from Glasdon, Inc.

Glasdon, Inc. cannot be held responsible for claims arising from incorrect installation, unauthorised modifications or misuse of the product.

Issue 1 August 2011 Stock no. C000/00325

Copyright 2011

Glasdon, Inc. reserves the right to alter specifications without prior notice.



Glasdon

Glasdon, Inc.